

**OREC**

ISSUED NO. SP1000-1

# Parts catalogue

## Spider Mower

(EXPORT MODEL)

**SP1000**

**MODEL  
SP1000**

**CODE  
0202-**

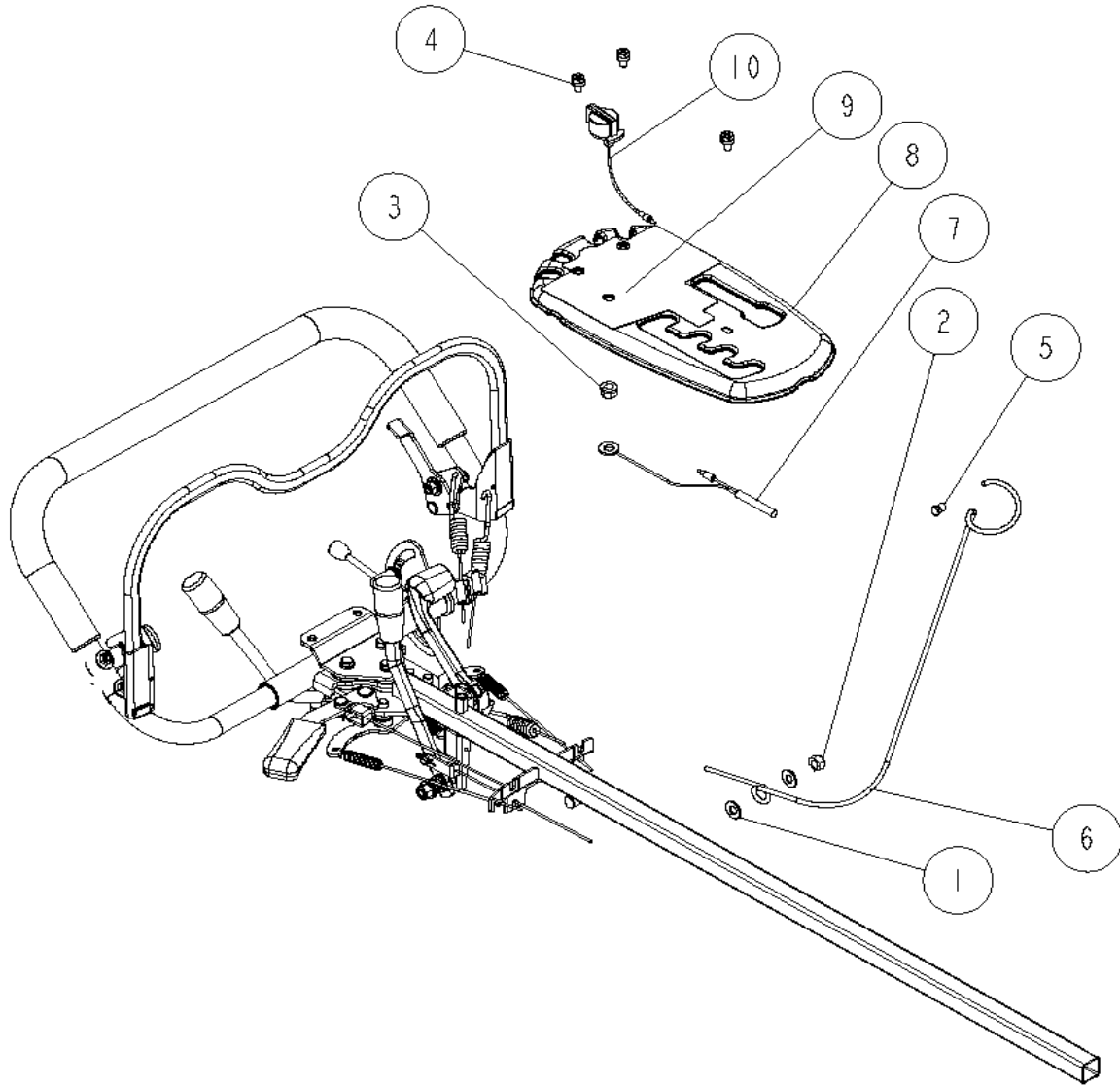


<b>CONTENTS</b>	
<b>HANDLE</b>	<b>1-8</b>
<b>DRIVING &amp; CUTTING</b>	<b>9-12</b>
<b>CHAIN CASE</b>	<b>13</b>
<b>TRANSMISSION</b>	<b>14-22</b>
<b>GEAR FRAME</b>	<b>23</b>
<b>FRONT WHEEL</b>	<b>24</b>
<b>REAR WHEEL</b>	<b>25</b>
<b>WHEEL</b>	<b>26</b>
<b>DRIVE CHAIN CASE</b>	<b>27</b>
<b>ENGINE</b>	<b>28</b>

**OREC CO.,LTD**

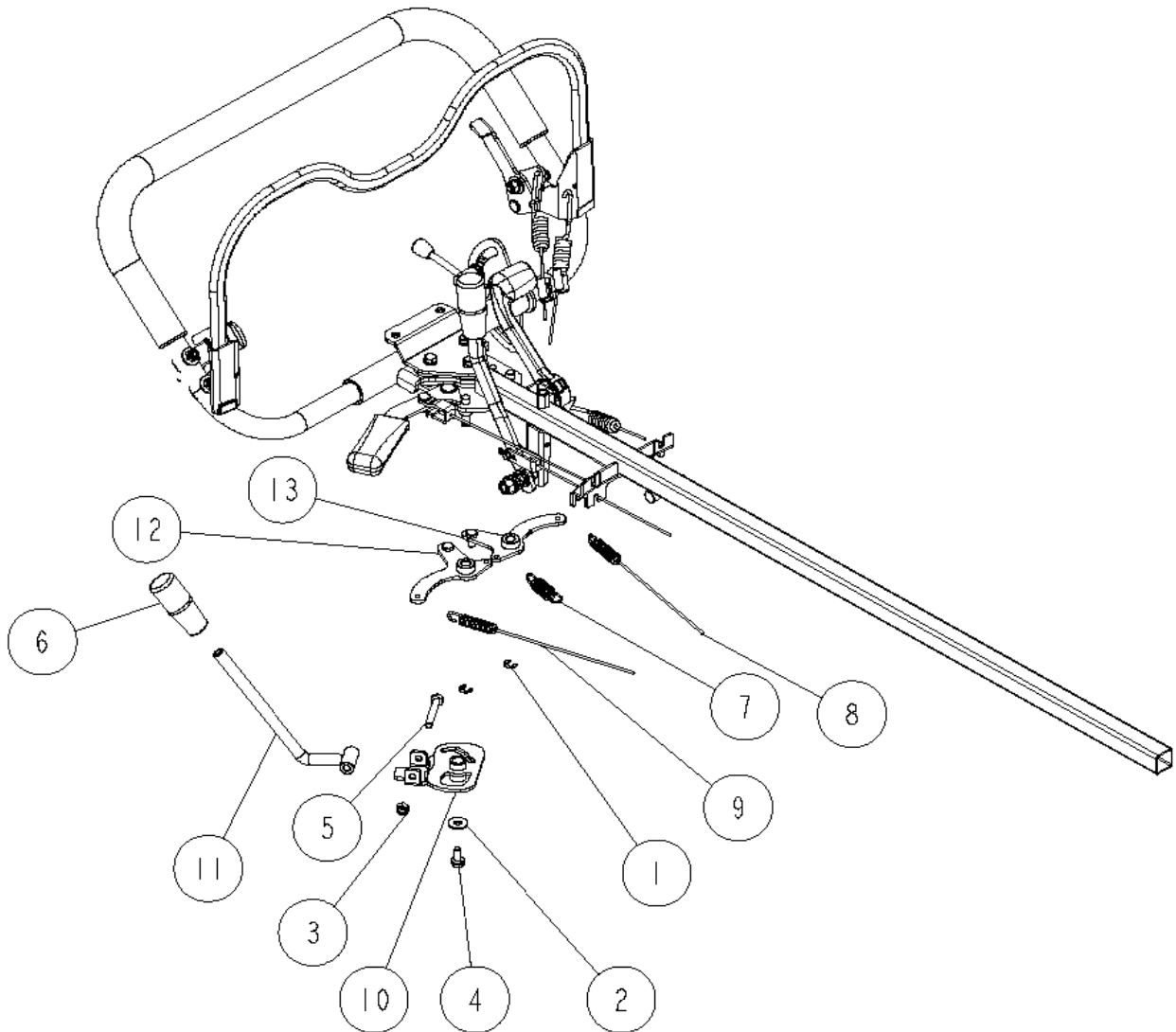
*Update : April 2010*

**HANDLE 1**

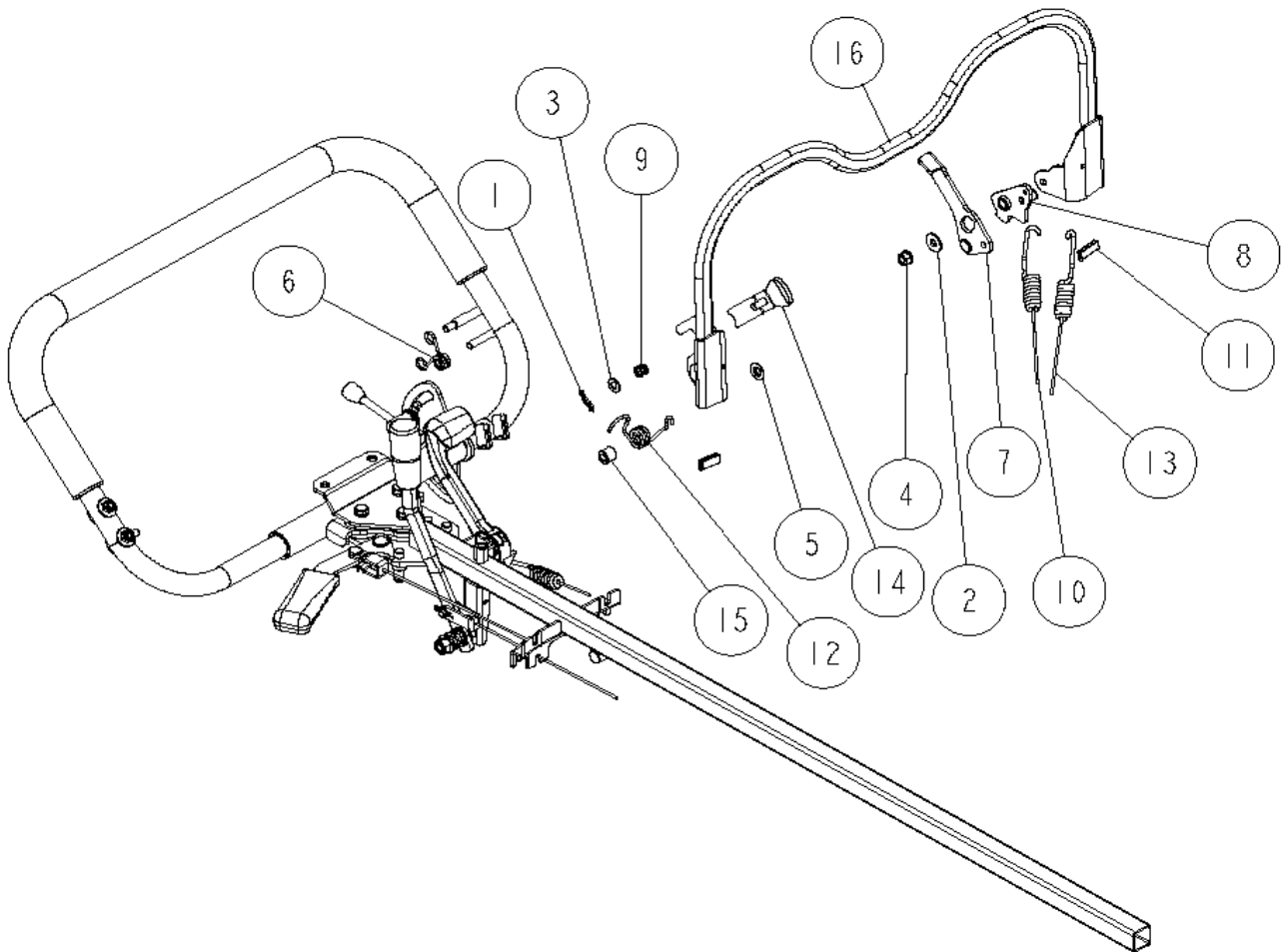


10	0016-72500	Engine Stop Switch	1	
9	0202-74100	Label, Control Panel	1	
8	0208-12110	Control Panel	1	
7	0229-20700	Wire Harness, E/G Stop	1	
6	0229-74200	Wire Guide	1	
5	0229-74300	Rubber Cap	1	
4	89-1144-060122	Hexagonal Bolt with Cross Hole (PWSW)	3	
3	89-1543-080002	Mini Hexagonal Nut (SW) M8	1	
2	89-1561-080002	Mini Hexagonal U Nut M8	1	
1	89-1711-080002	Flat Washer 8	2	
Ref.	Parts Number	Parts Name	Quantity	Remarks

## HANDLE 2

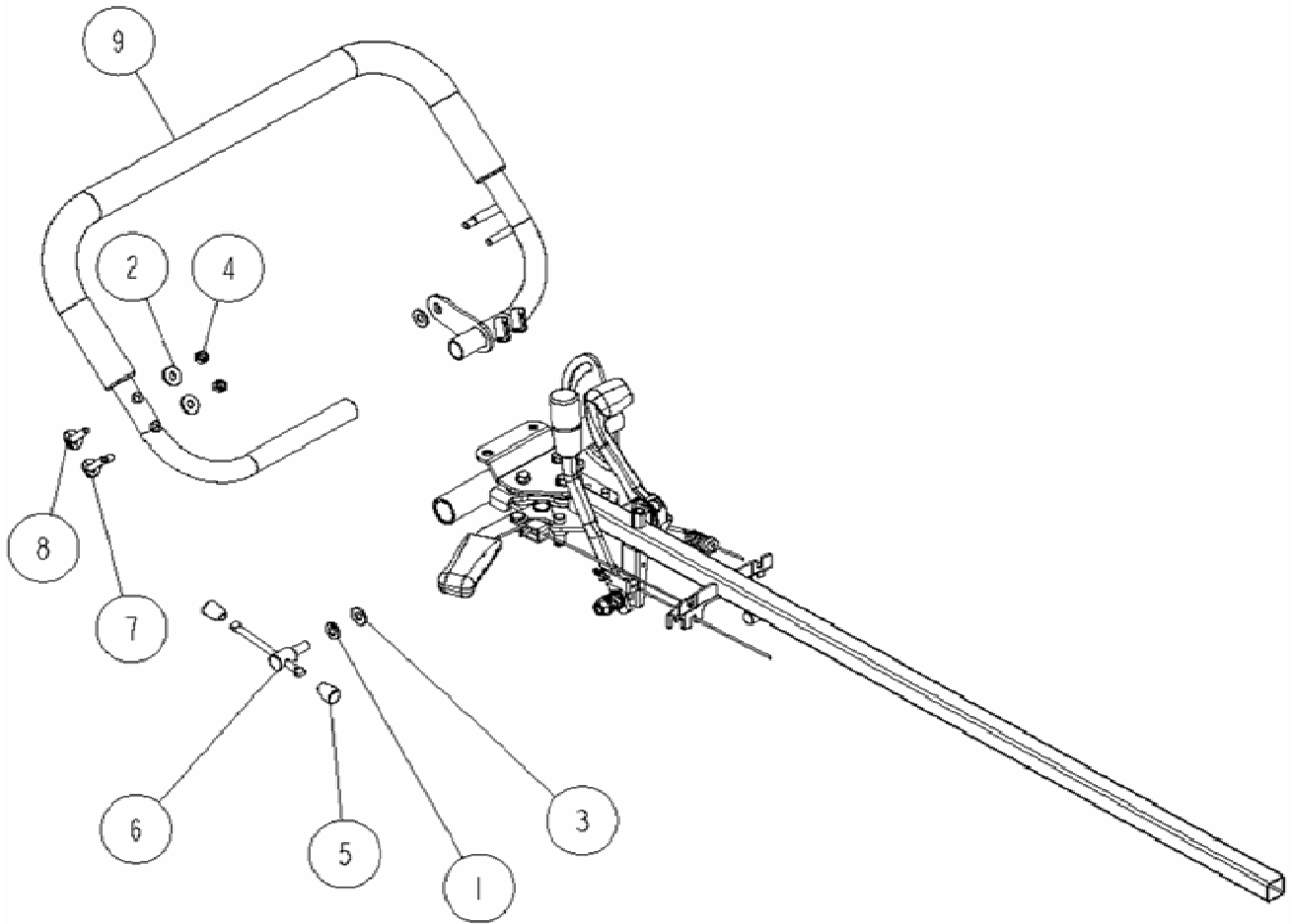


13	0208-11200	Change Arm A CMP	1	
12	0208-11300	Change Arm B CMP	1	
11	0208-11710	Change Lever CMP	1	
10	0229-11100	Change Guide CMP	1	
9	0229-70600	Wire, Velocity Change	1	
8	0229-70700	Wire, Direction Change	1	
7	0229-71800	Center Spring	1	
6	83-1210-425-00	Lever Grip 10	1	
5	89-1111-060402	Hexagonal Bolt M6*40	1	
4	89-1135-060142	Hexagonal Bolt (SW) M6*14	1	
3	89-1551-060002	Hexagonal U Nut M6	1	
2	89-1713-060002	Flat Washer 6 (large)	1	
1	89-2521-000060	E Type Ring 6	2	
Ref.	Parts Number	Parts Name	Quantity	Remarks



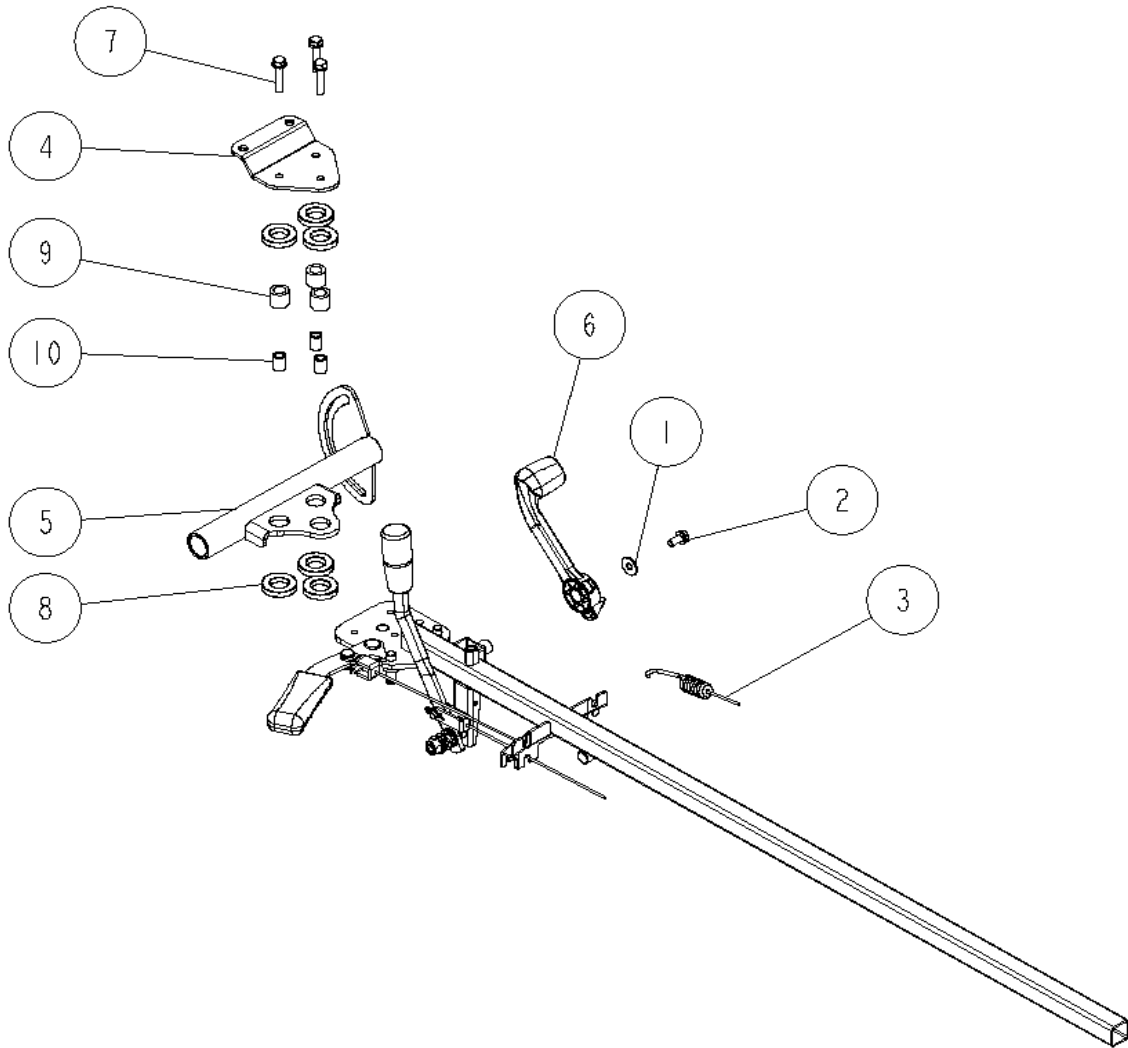
16	0202-10400	Driving Clutch Lever	1	
15	0202-10700	Collar, Clutch Lever	1	
14	0202-11300	Lock Lever CMP	1	
13	0202-71100	Wire, Throttle (M. E/G)	1	
12	0202-72200	Spring, Clutch Lever	1	
11	0229-13100	Rubber, L20	2	
10	0229-70900	Wire, Driving Clutch	1	
9	0254-10600	Lock Spring	1	
8	0287-12300	Drive Joint	1	
7	0287-12500	Release Lever CMP	1	
6	0287-12600	Spring, Release Lever	1	
5	83-1515-177-00	Push Nut 6	1	
4	89-1541-060002	Hexagonal Nut (SW) M6	1	
3	89-1711-060002	Flat Washer 6	1	
2	89-1713-060002	Flat Washer 6 (large)	1	
1	89-2132-060002	Snap Pin 6 (with stopper)	1	
Ref.	Parts Number	Parts Name	Quantity	Remarks

## HANDLE 4



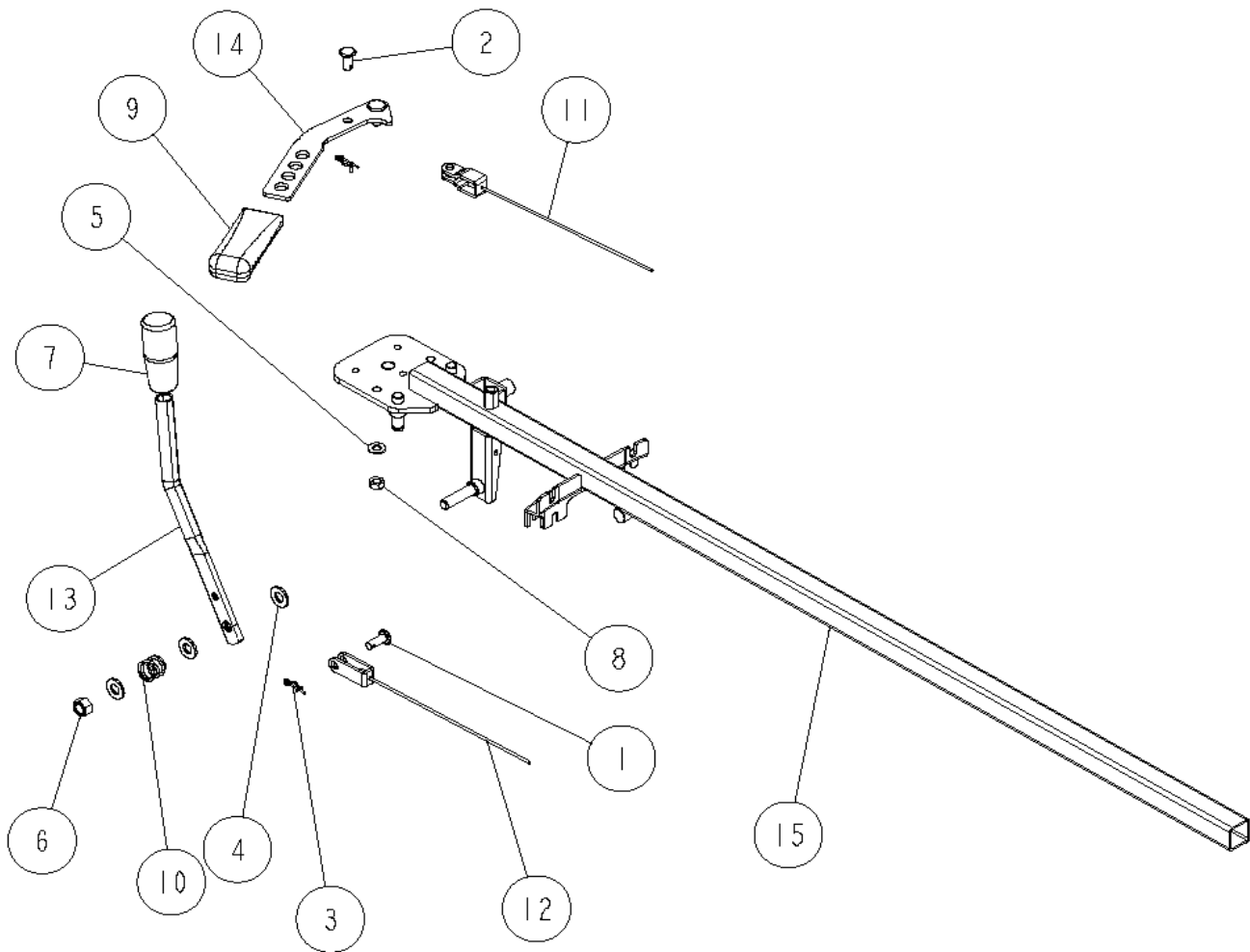
9	0202-10300	Upper Handle CMP	1	
8	0202-10600	Driving Stopper Shaft	1	
7	0208-13100	Clutch Lever Shaft CMP	1	
6	83-1210-484-00	Free Handle M8*20	1	
5	83-1310-429-00	Grip 6	2	
4	89-1551-060002	Hexagonal U Nut M6	2	
3	89-1711-080002	Flat Washer 8	2	
2	89-1711-060002	Flat Washer 6	2	
1	89-1750-080002	Spring Washer 8	1	
Ref.	Parts Number	Parts Name	Quantity	Remarks

## HANDLE 5

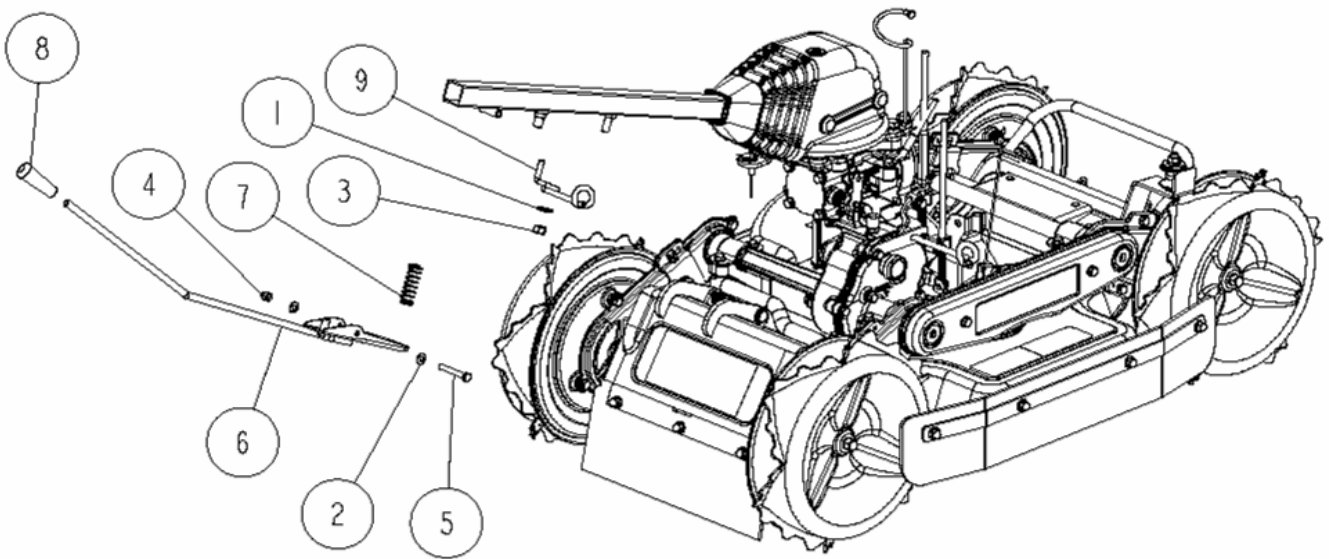


10	0208-03300	Inner Collar D	3	
9	0208-09700	Bush	3	
8	0208-09910	Vibration-proof Rubber	6	
7	0208-73700	Hexagon Bolt M6*30	3	
6	0216-10400	Lock Lever	1	
5	0229-10710	Upper Handle Adapter	1	
4	0229-11500	Panel Stay	1	
3	0229-70800	Wire, Cutting Clutch	1	
2	89-1135-060142	Hexagonal Bolt (SW) M6*14	1	
1	89-1713-060002	Flat Washer 6 (large)	1	
Ref.	Parts Number	Parts Name	Quantity	Remarks

## HANDLE 6



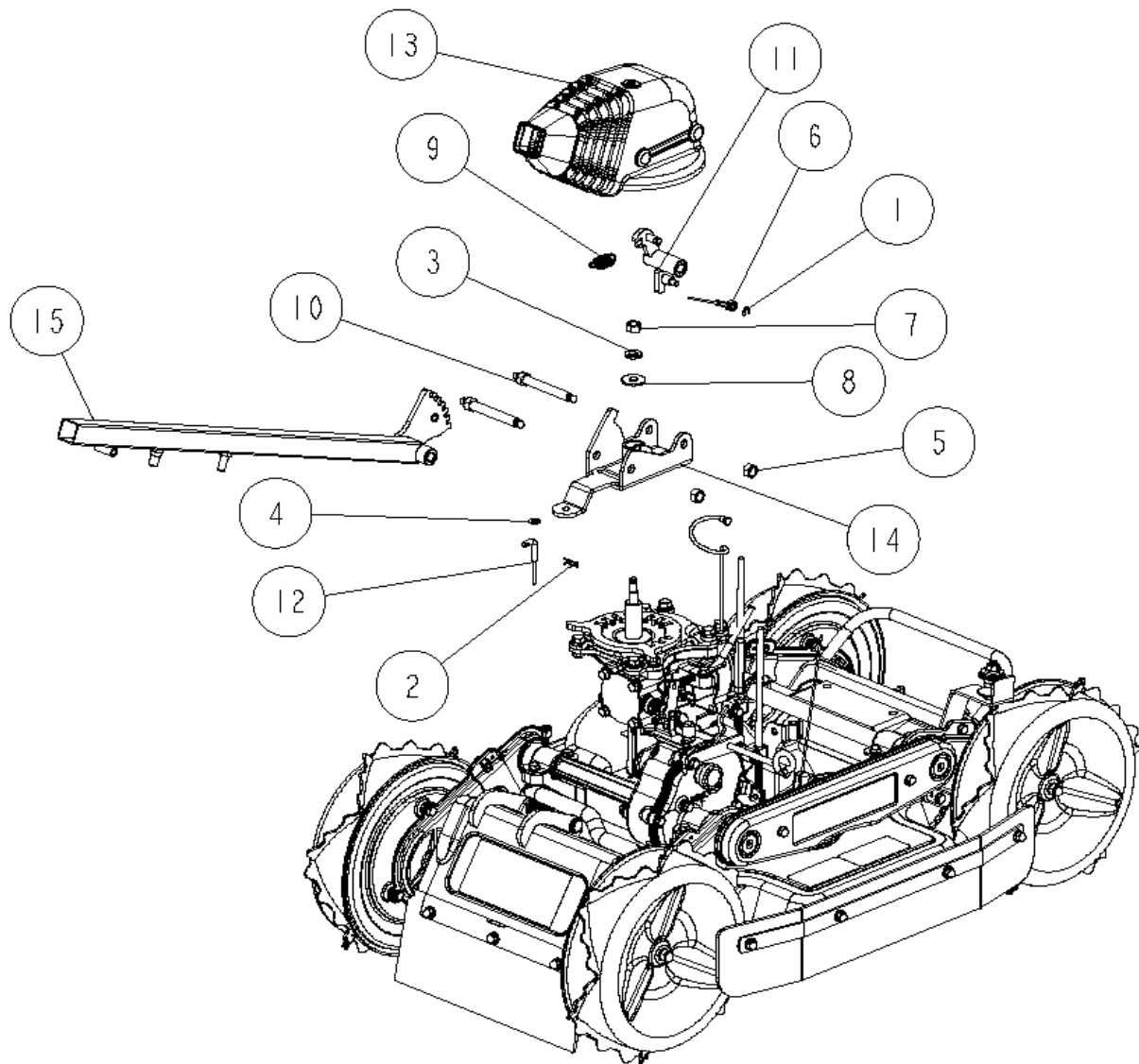
15	0229-10500	Middle Handle CMP	1	
14	0229-10900	Handle Up/Down & L/R Lever	1	
13	0229-11600	Cutting Height Adjust Lever	1	
12	0229-70400	Wire, Cutting Height	1	
11	0229-70500	Wire, Handle Direction	1	
10	80-1020-263-00	Control Lever Shaft Spring	1	
9	80-1515-262-00	Arm Grip (Black)	1	
8	83-1493-198-00	Hexagonal U Nut M6 (Lock)	1	
7	83-1711-426-00	Lever Grip 12	1	
6	89-1561-080002	Mini Hexagonal U Nut M8	1	
5	89-1711-060002	Flat Washer 6	1	
4	89-1711-080002	Flat Washer 8	3	
3	89-2132-060002	Snap Pin 6 (with stopper)	2	
2	89-2181-060142	Flat Head Pin 6*14	1	
1	89-2181-060162	Flat Head Pin 6*16	1	
Ref.	Parts Number	Parts Name	Quantity	Remarks



9	0202-72100	Grip Guide	1	
8	0207-72600	Lever Grip 8 (black)	1	
7	0208-12500	Spring, Stretch Lever	1	
6	0229-12400	Handle Stretch Lever CMP	1	
5	89-1113-060402	Hexagonal Bolt (8T) M6*40	1	
4	89-1553-060002	Bag Hexagonal U Nut M6	1	
3	89-1561-080002	Mini Hexagonal U Nut M8	1	
2	89-1711-060002	Flat Washer 6	2	
1	89-1711-080002	Flat Washer 8	1	
Ref.	Parts Number	Parts Name	Quantity	Remarks

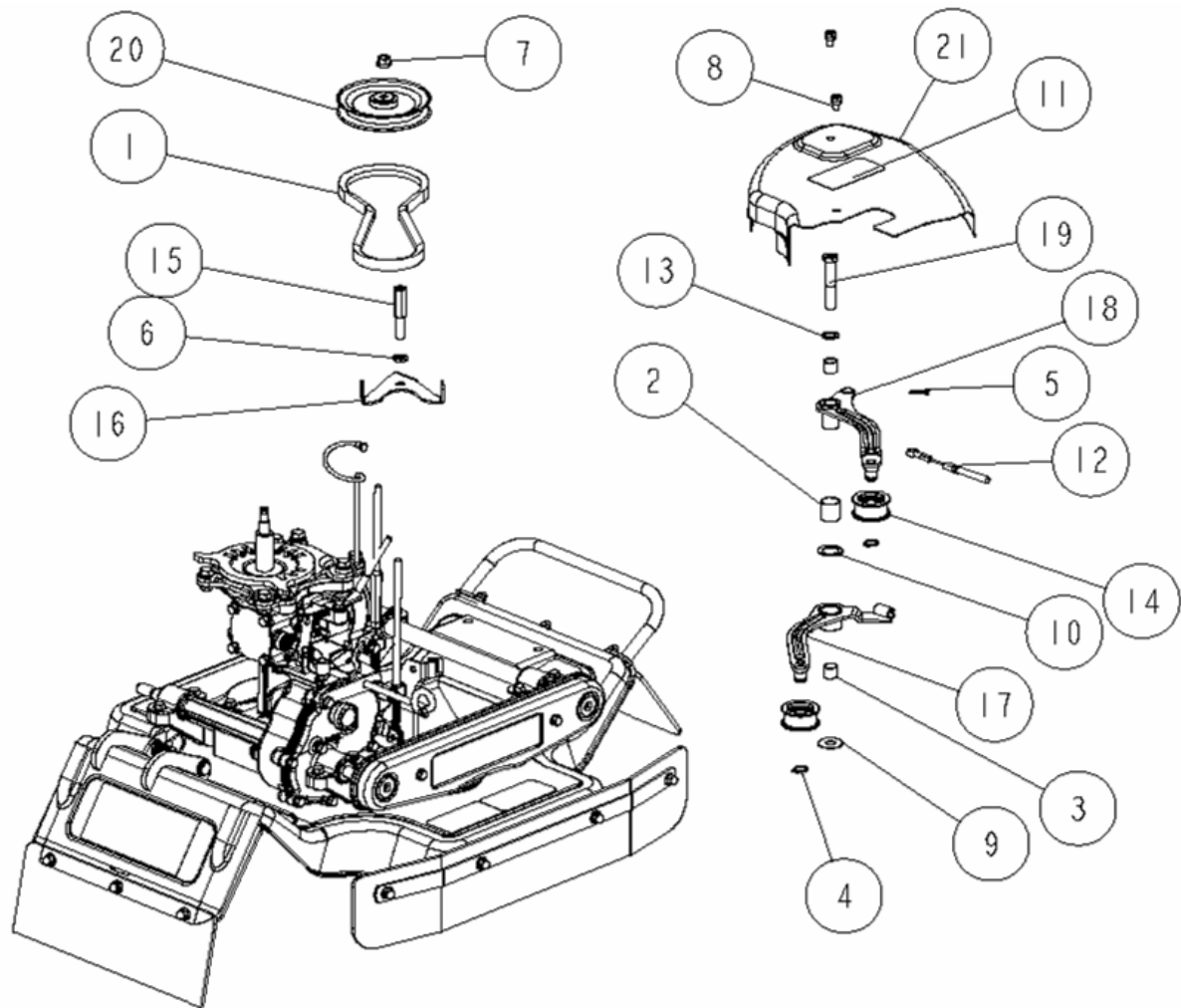


## HANDLE 8

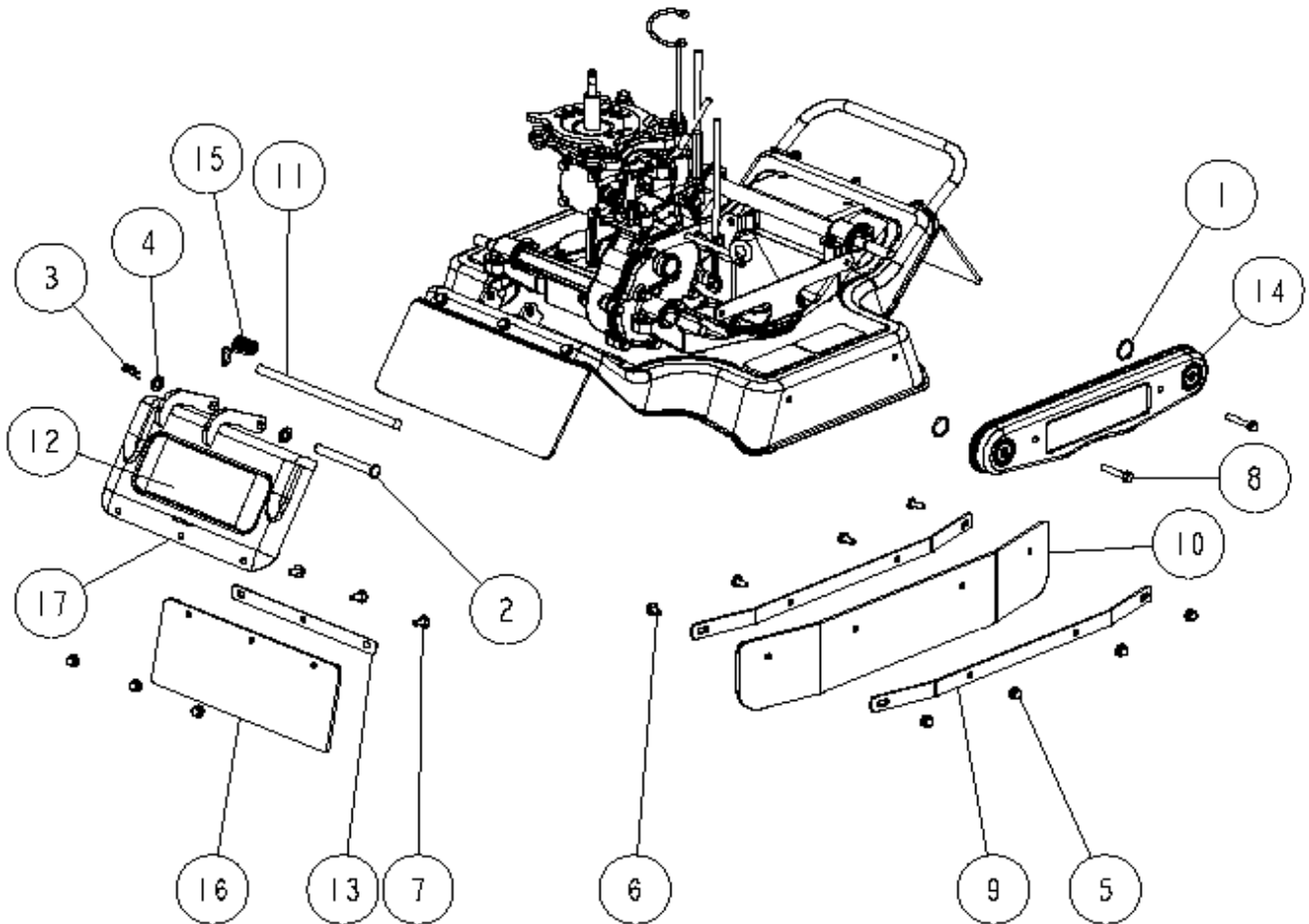


15	0202-10800	Low Handle CMP	1	
14	0202-11100	Handle Turn Plate CMP	1	
13	0202-11200	Handle Bonnet	1	
12	0202-73200	Wire, Rear Guard	1	
11	0208-10320	Up/Down Arm CMP	1	
10	0208-12710	Bolt, Handle Setting	2	
9	0208-71900	Spring, Handle Up/Down	1	
8	0208-73300	Plain Washer 10	1	
7	0208-73600	U Nut M10	1	
6	0229-70500	Wire, Handle Direction	1	
5	89-1561-100002	Mini Hexagonal U Nut M10	2	
4	89-1711-060002	Flat Washer 6	1	
3	89-1750-100002	Spring Washer 10	1	
2	89-2132-060002	Snap Pin 6 (with stopper)	1	
1	89-2521-000050	E Type Ring 5	1	
Ref.	Parts Number	Parts Name	Quantity	Remarks

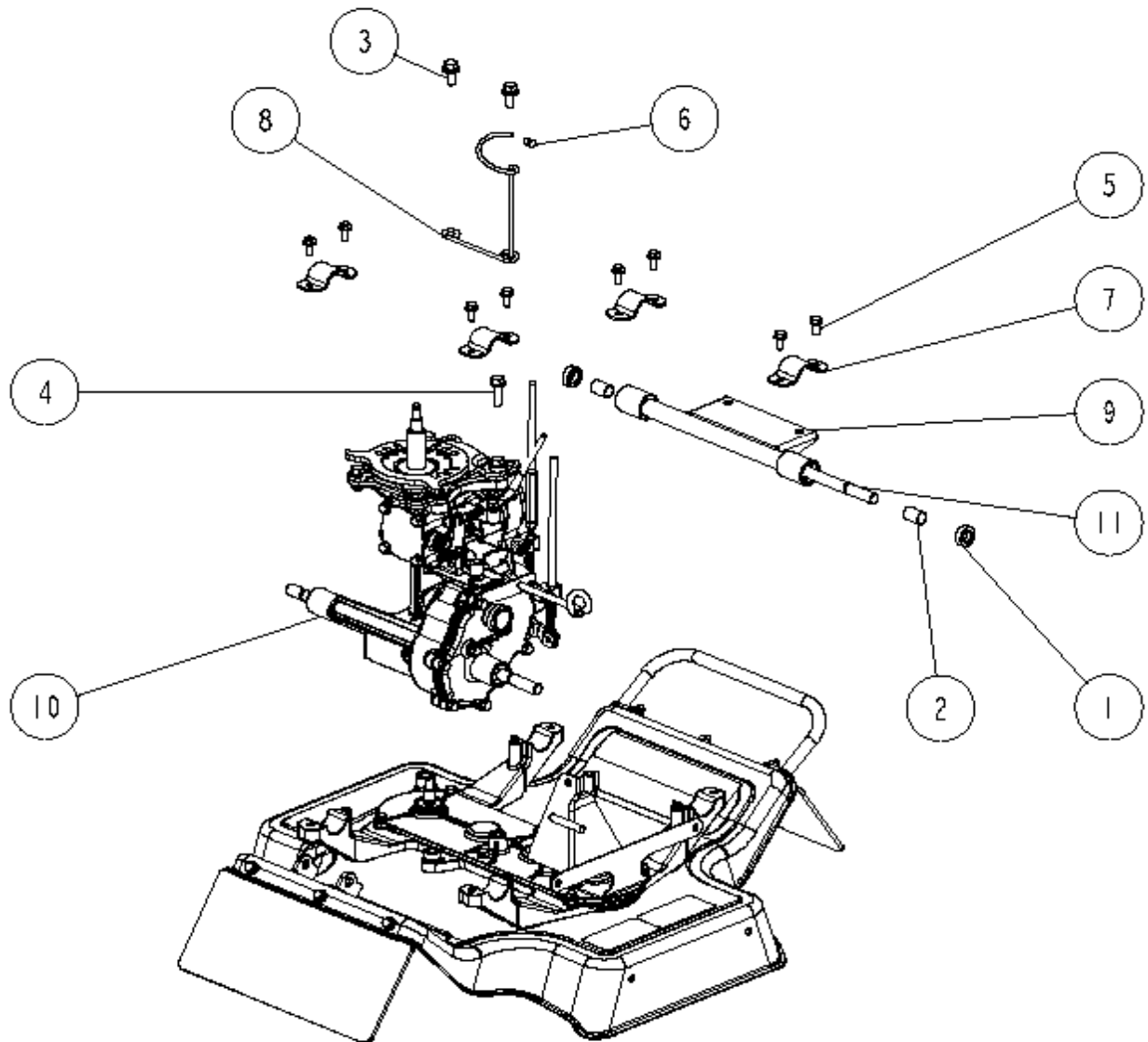
## DRIVING &amp; CUTTING 1



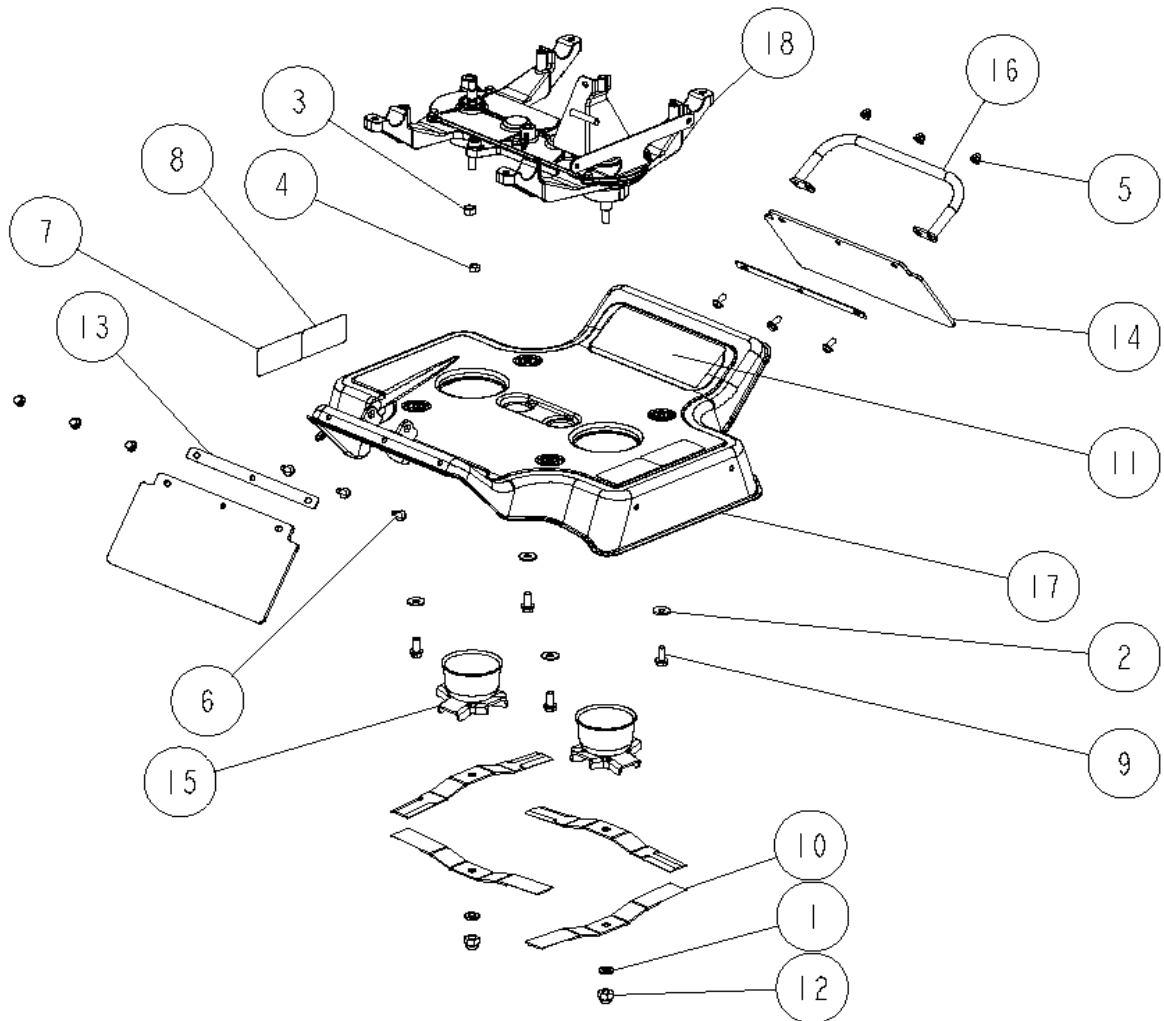
21	0202-60100	Belt Cover CMP	1	
20	0208-40220	Knife Pulley	1	
19	0208-40310	Tension Shaft	1	
18	0208-40430	Tension Arm A CMP	1	
17	0208-40530	Tension Arm B CMP	1	
16	0208-40720	Belt Holder	1	
15	0208-41100	Belt Holder Setting Bolt	1	
14	0208-42100	Tension Pulley	2	
13	0208-71100	Thrust Washer 12*18*1.0	1	
12	0229-70800	Wire, Cutting Clutch	1	
11	80-1488-928-10	Label, Caution for Belt Involving	1	
10	83-1819-367-00	スラストワッシャー-18*22*1.0	1	
9	83-1830-353-00	Thrust Washer 10*26*1.0	1	
8	89-1144-060122	Hexagonal Bolt with Cross Hole (PWSW)	2	
7	89-1543-080002	Mini Hexagonal Nut (SW) M8	1	
6	89-1750-080002	Spring Washer 8	1	
5	89-2132-060002	Snap Pin 6 (with stopper)	1	
4	89-2511-000120	Snap Ring (S12)	2	
3	89-3510-012120	DU Bush 12.12	2	
2	89-3510-018200	DU Bush 18.20	1	
1	89-6122-002303	V Belt LA-23 (SG1000)	1	
Ref.	Parts Number	Parts Name	Quantity	Remarks



17	0202-50500	Rear Guard CMP	1	
16	0202-50600	Rear Flapper	1	
15	0202-73100	Return Spring, Rear Guard	1	
14	0208-39200	Drive Chain Case Assy	1	
13	0208-73110	Flapper Holder	1	
12	0223-76100	Label, Caution (Large)	1	
11	0229-62200	Sealing Tape	1	
10	0229-63100	Side Flapper	1	
9	0229-63200	Flapper Holder	2	
8	89-1135-060402	Hexagonal Bolt (SW) M6*40	2	
7	89-1137-060152	Hexagonal Bolt (PW) M6*15	3	
6	89-1390-060152	Welded Bolt M6*15	4	
5	89-1581-060042	Flange Cap Nut M6	7	
4	89-1711-100002	Flat Washer 10*18*1.6	2	
3	89-2131-100002	Snap Pin 10	1	
2	89-2181-100902	Flat Head Pin 10*90	1	
1	89-5221-020000	O Ring P20	2	
Ref.	Parts Number	Parts Name	Quantity	Remarks

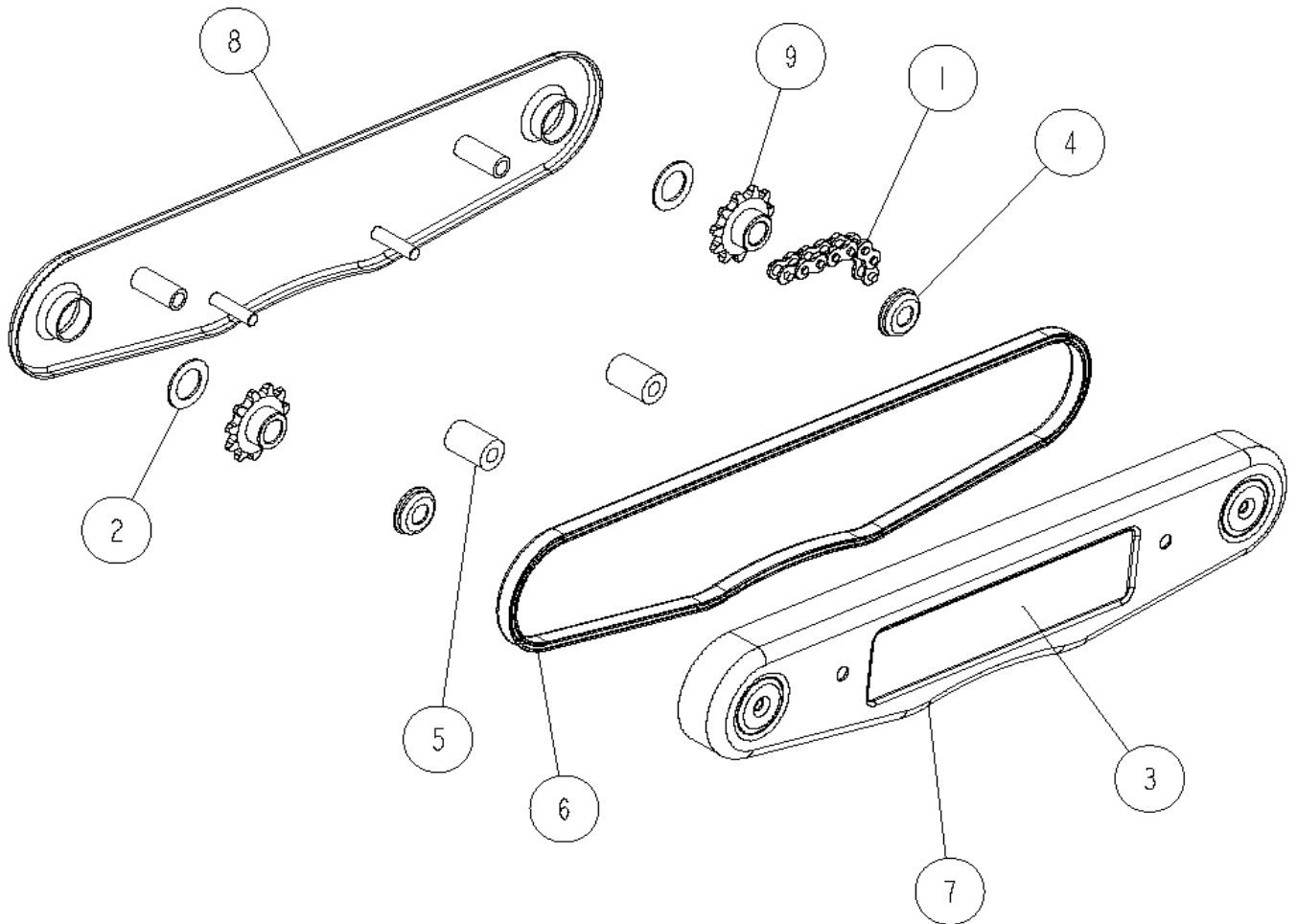


11	0202-00600	Driving Axle B	1	
10	0202-05000	Transmission Assy	1	
9	0202-31600	Drive Axle Holder CMP	1	
8	0202-71500	Wire Guide	1	
7	0208-20310	Frame Setting	4	
6	0229-74300	Rubber Cap	1	
5	83-1020-148-00	Tapping Bolt M6*14	8	
4	83-1482-143-00	Tapping Bolt M8*25	1	
3	89-1233-080202	Mini Hexagonal Bolt (PWSW) M8*20	2	
2	89-3510-012200	DU Bush 12.20	2	
1	89-5121-122207	Oil Seal UE 12.22.7	2	
Ref.	Parts Number	Parts Name	Quantity	Remarks

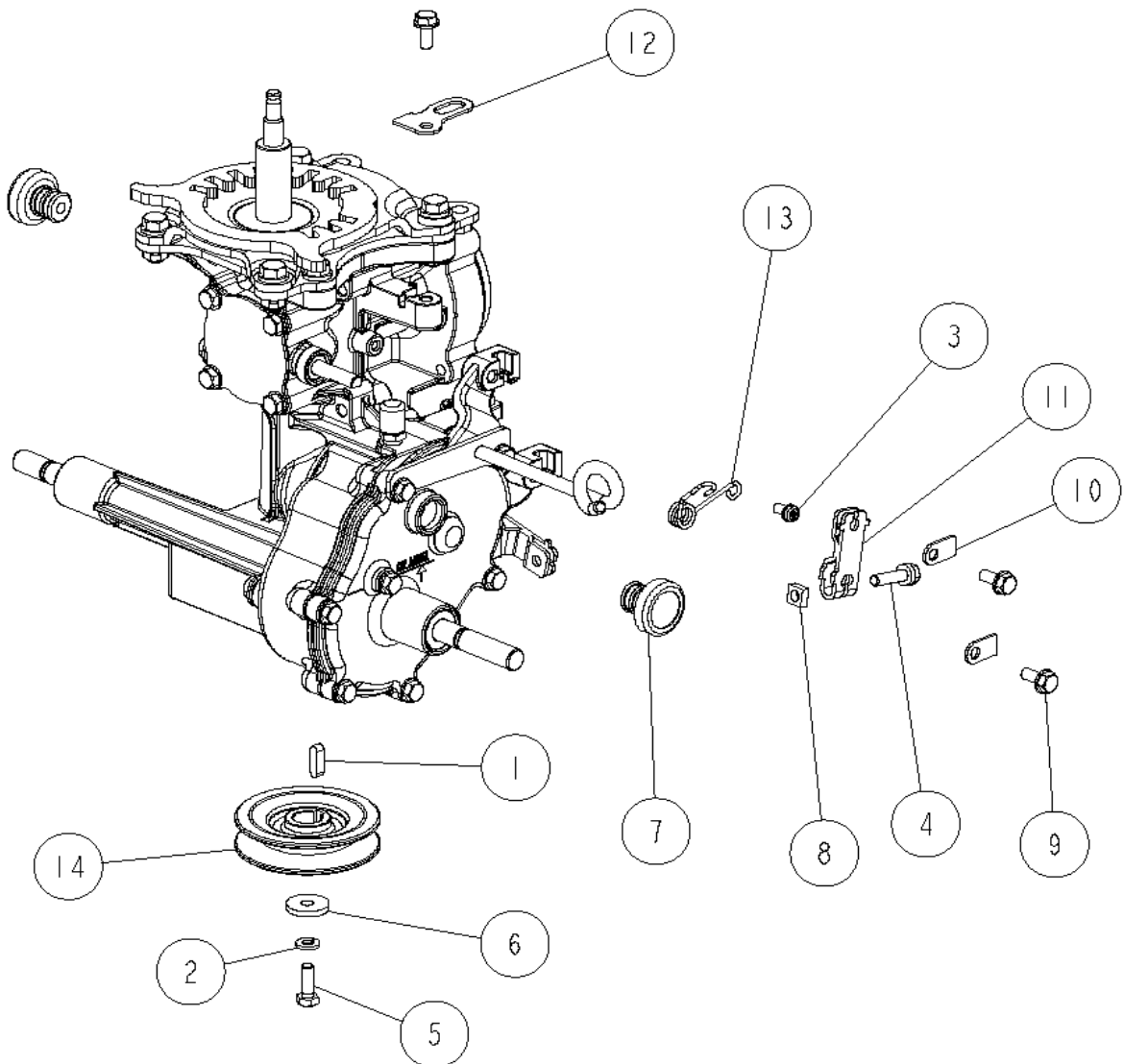


18	0202-29000	Gear Frame ASSY	1	
17	0202-50100	Rotary Cover CMP	1	
16	0202-50700	Front Bumper CMP	1	
15	0208-60220	Knife Neck Guard	2	
14	0208-70110	Flapper	2	
13	0208-73110	Flapper Holder	2	
12	0208-73200	U Cap Nut M10	2	
11	0229-72400	Label, OREC	1	
10	0229-82100	Bar Knife	4	
9	80-1020-719-00	Hexagonal Tap Tight M8*18	4	
8	83-1415-912-10	Label, Caution for Hitting Object	2	
7	80-1488-926-10	Label, Caution for Knife	2	
6	89-1137-060152	Hexagonal Bolt (PW) M6*15	6	
5	89-1581-060042	Flange Cap Nut M6	6	
4	89-1611-080042	Mini Hexagonal Nut M8	1	
3	89-1611-100042	Mini Hexagonal Nut M10	1	
2	89-1713-080002	Flat Washer 8 (large)	4	
1	89-1750-100002	Spring Washer 10	2	
Ref.	Parts Number	Parts Name	Quantity	Remarks

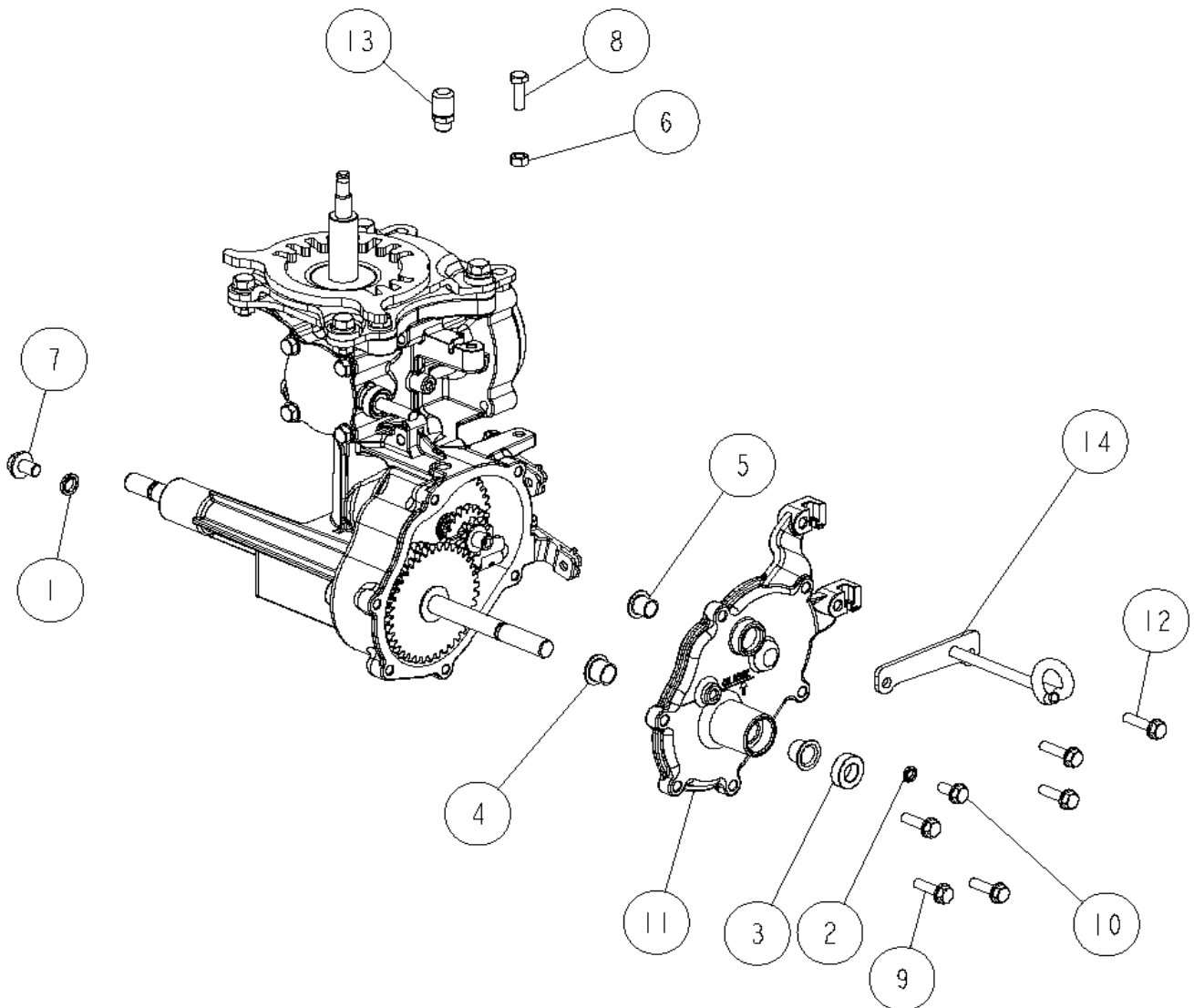
## CHAIN CASE



9	0208-31700	Drive Axle 11T Sprocket	2	
8	0208-31820	Drive Chain Case Inner	1	
7	0208-31910	Drive Chain Case Outer	1	
6	0208-32110	Trim L772	1	
5	0208-32420	Idle Rubber	2	
4	0208-71200	Thrust Washer DC	2	
3	80-1020-903-00	Label (Small)	1	
2	83-1020-361-00	Thrust Washer 15*24*1.0	2	
1	89-6512-035074	Chain #35-74L	1	
Ref.	Parts Number	Parts Name	Quantity	Remarks

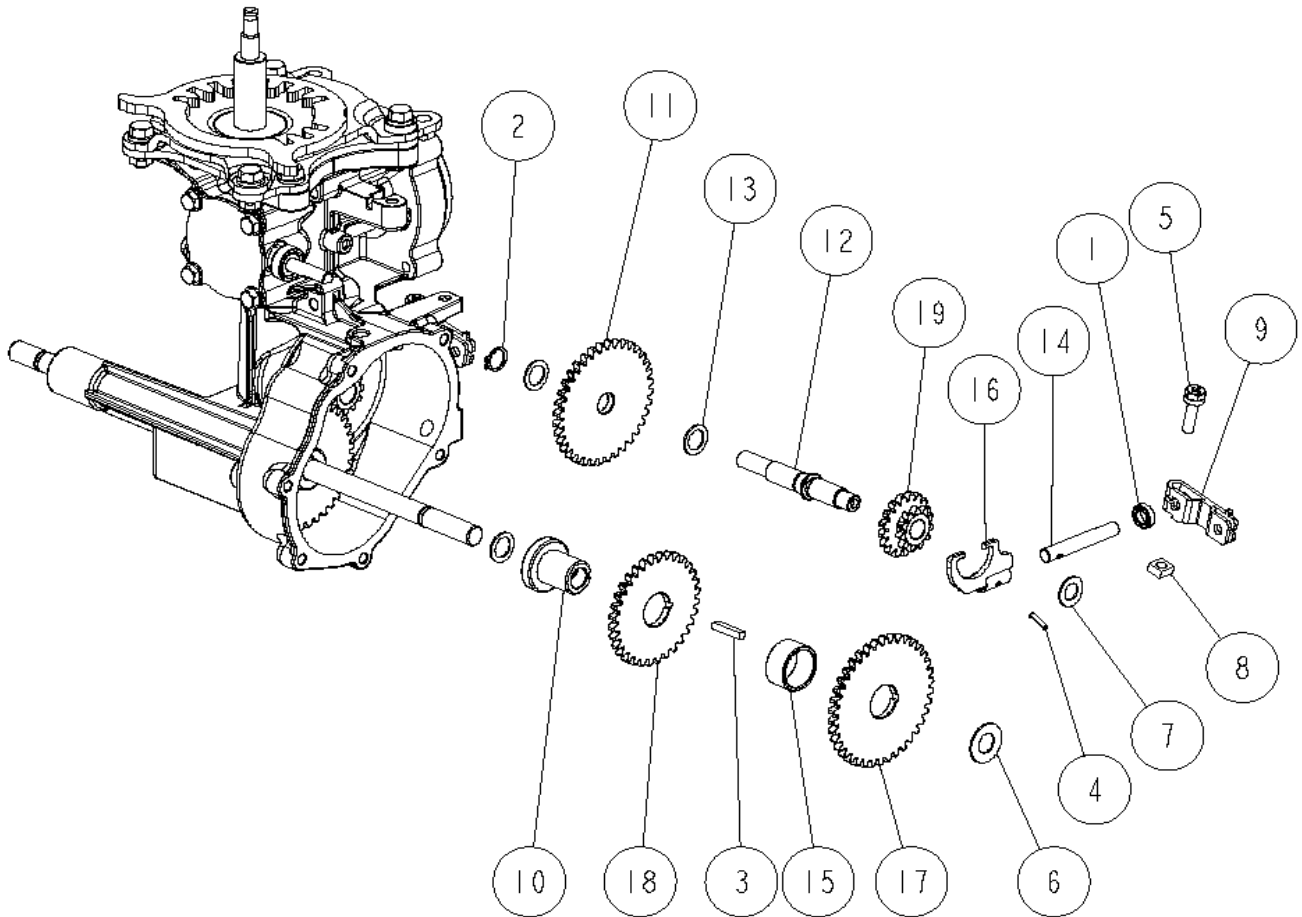


14	0208-40120	Gear Box Pulley	1	
13	0229-01800	Spring, Wire Return	1	
12	0229-06100	Direction Change Wire Holder	1	
11	0287-01100	Driving Change Arm	1	
10	80-1515-186-00	Wire Holder	2	
9	83-1020-148-00	Tapping Bolt M6*14	3	
8	83-1020-198-00	Square Nut M6	1	
7	83-1140-682-10	Oil Cap 16	2	
6	83-1482-311-00	Washer 6.5*22*3.2	1	
5	83-1761-126-00	Hexagonal Bolt (Meck) M6X18	1	
4	89-1144-060253	Hexagonal Bolt with Cross Hole (PW.SW)	1	
3	89-1156-050102	Cross recess Headed Screw (SW) M5*10	1	
2	89-1750-060002	Spring Washer 6	1	
1	89-2150-050180	Key 5*18 (round)	1	
Ref.	Parts Number	Parts Name	Quantity	Remarks

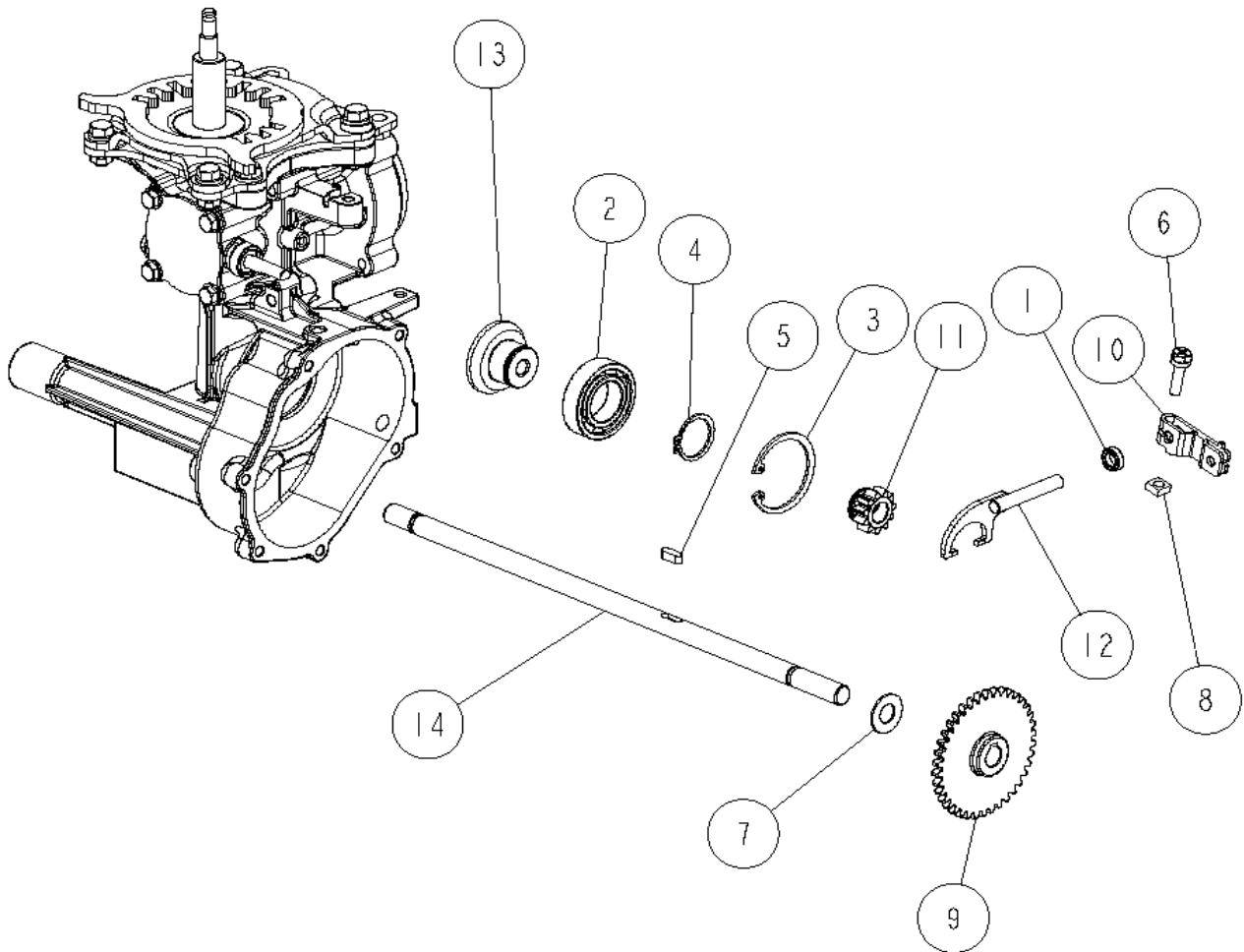


14	0202-90200	Recoil Guide B CMP	1	
13	0207-06100	Air Bleezer	1	
12	0208-73800	Hexagon Tap Tight M6*25	2	
11	0287-02400	Transmission Case R	1	
10	83-1020-148-00	Tapping Bolt M6*14	1	
9	83-1515-148-00	Tapping Bolt M6*22	4	
8	89-1113-060202	Hexagonal Bolt (8T) M6*20	1	
7	89-1251-080122	Flange Mini Hexagonal Bolt M8*12	1	
6	89-1511-060042	Hexagonal Nut M6	1	
5	89-3511-010100	DU Bush 10.10.18F	1	
4	89-3511-012100	DU Bush 12.10.20F	2	
3	89-5121-122207	Oil Seal UE 12.22.7	1	
2	89-5230-060000	Seal Washer 6	1	
1	89-5230-080000	Seal Washer 8	1	
Ref.	Parts Number	Parts Name	Quantity	Remarks



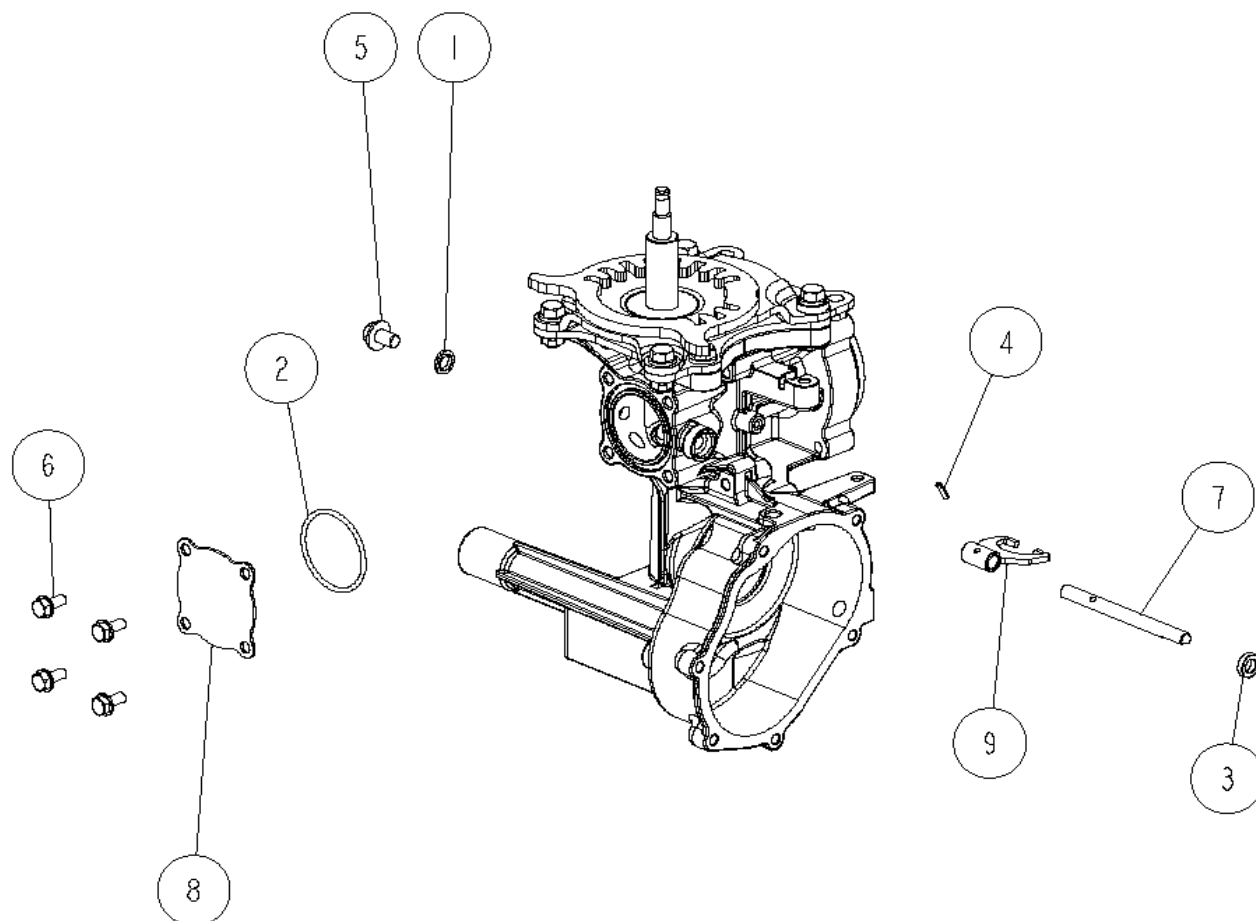


19	0208-01010	Main Axle 17T/11T Gear	1	
18	0208-01210	Driving Axle 32T	1	
17	0208-01320	Driving Axle 38T A	1	
16	0208-01820	Shift Fork CMP	1	
15	0208-02300	Collar B	1	
14	0208-03400	Shift Fork Axle	1	
13	0208-71100	Thrust Washer 12*18*1.0	3	
12	0229-00700	Main Axle	1	
11	0229-00900	Main Axle 36T Gear	1	
10	0229-01100	13T Gear Boss	1	
9	0287-01100	Driving Change Arm	1	
8	83-1020-198-00	Square Nut M6	1	
7	83-1020-351-00	Thrust Washer 10*18*1.0	1	
6	83-1020-355-00	Thrust Washer 12*24*1.0	1	
5	89-1144-060253	Hexagonal Bolt with Cross Hole (PW.SW)	1	
4	89-2111-030012	Spring Pin 3*12	1	
3	89-2151-040220	Key 4*22 (half round)	1	
2	89-2511-000120	Snap Ring (S12)	1	
1	89-5130-081404	Oil Seal KE 8.14.4	1	
Ref.	Parts Number	Parts Name	Quantity	Remarks



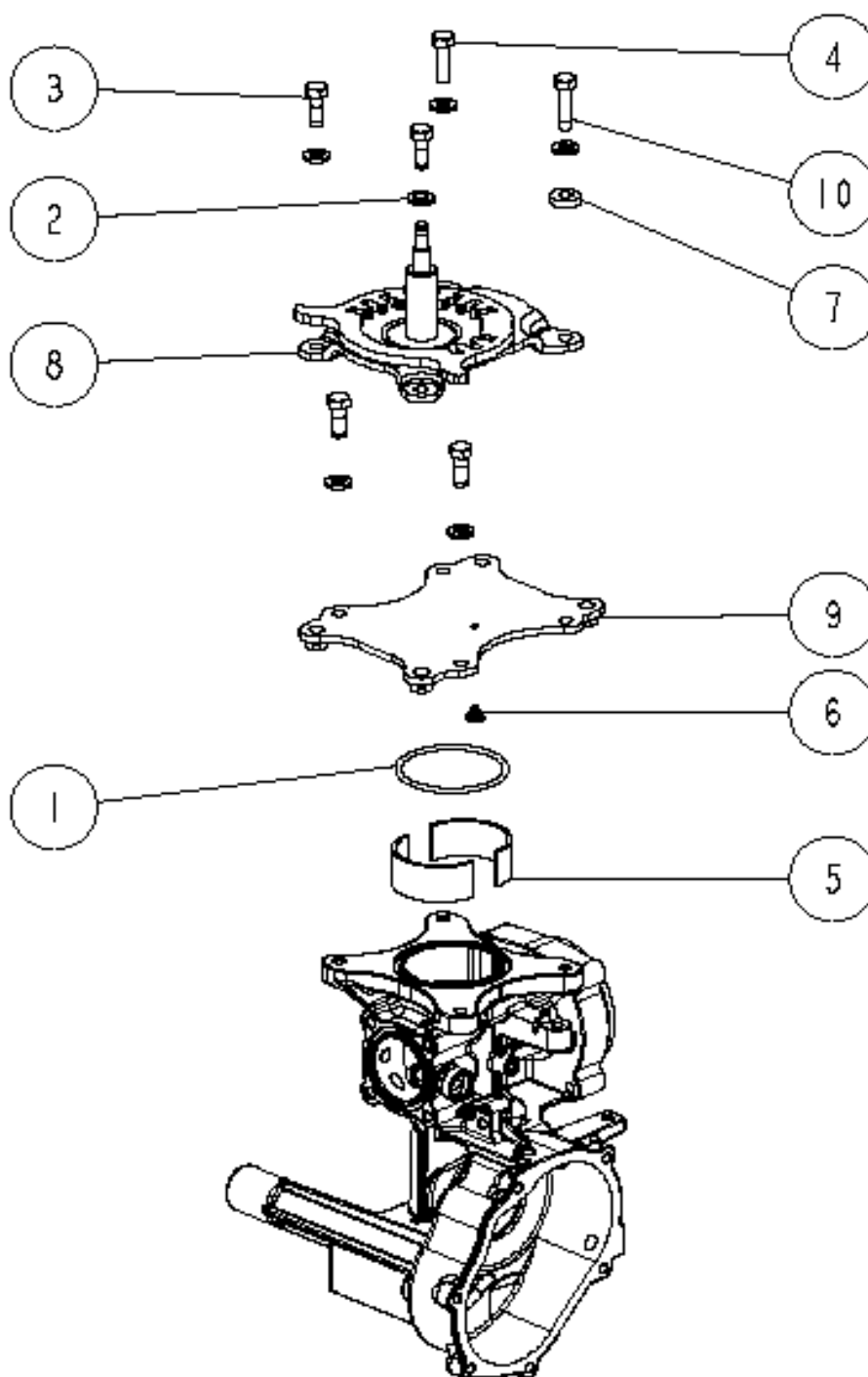
14	0202-00700	Driving Axle	1	
13	0208-00500	Bevel Gear 30T	1	
12	0208-01910	Clutch Fork CMP	1	
11	0229-00800	Driving Clutch Gear 11T	1	
10	0287-01100	Driving Change Arm	1	
9	0287-01400	Driving Axle 38T B	1	
8	83-1020-198-00	Square Nut M6	1	
7	83-1020-355-00	Thrust Washer 12*24*1.0	1	
6	89-1144-060253	Hexagonal Bolt with Cross Hole (PW.SW)	1	
5	89-2150-050150	Key 5*15 (round)	1	
4	89-2511-000250	Snap Ring (S25)	1	
3	89-2512-000470	Snap Ring (R47)	1	
2	89-3111-060054	Bearing 6005	1	
1	89-5130-081404	Oil Seal KE 8.14.4	1	
Ref.	Parts Number	Parts Name	Quantity	Remarks

**TRANSMISSION 5**



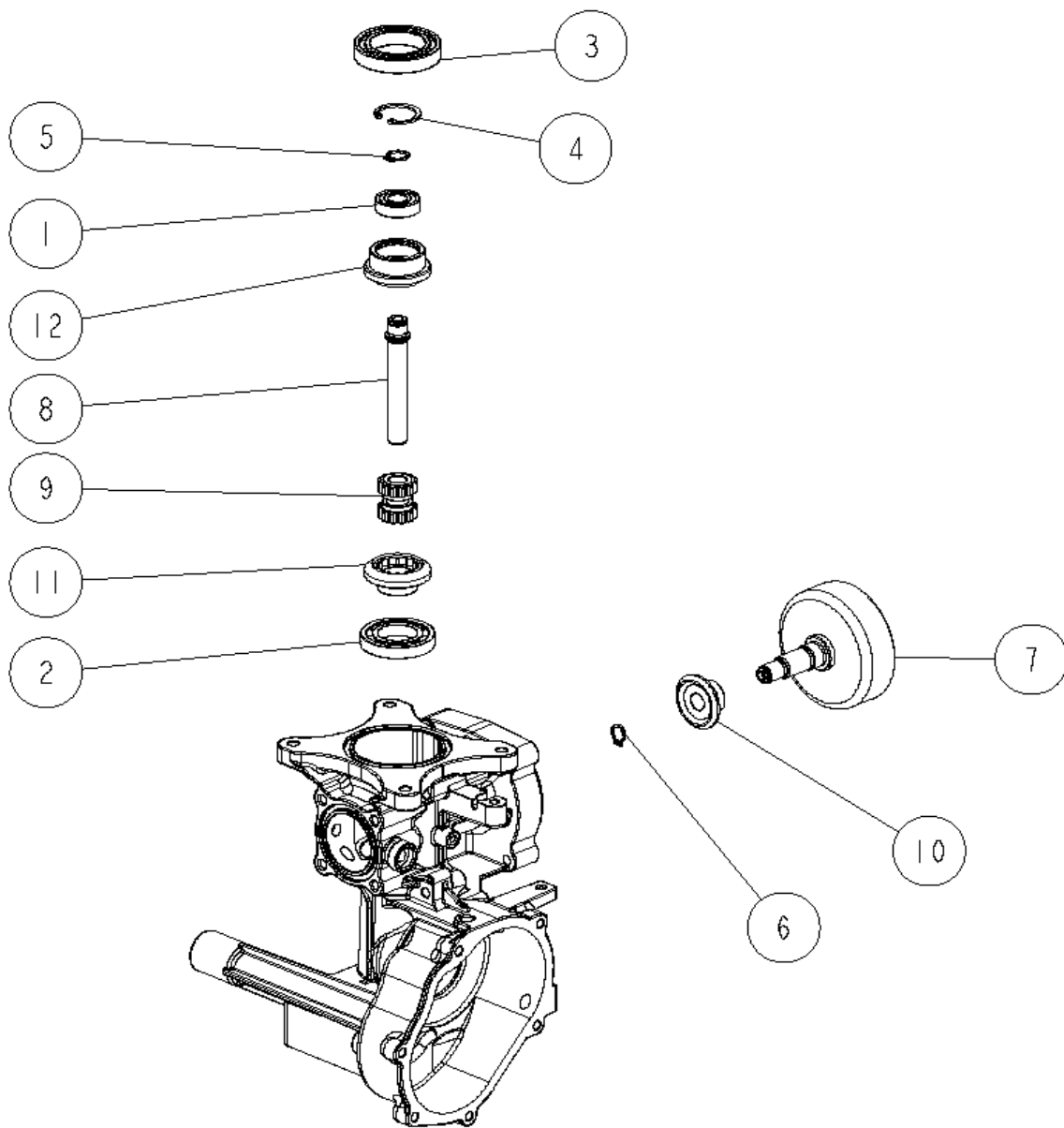
9	0208-01600	Direction Change Arm CMP	1	
8	0208-03100	Transmission Case Cover	1	
7	0287-01700	Direction Change Arm Shaft	1	
6	83-1020-148-00	Tapping Bolt M6*14	4	
5	89-1251-080122	Flange Mini Hexagonal Bolt M8*12	1	
4	89-2111-030012	Spring Pin 3*12	1	
3	89-5130-081404	Oil Seal KE 8.14.4	1	
2	89-5222-045000	O Ring G45	1	
1	89-5230-080000	Seal Washer 8	1	
Ref.	Parts Number	Parts Name	Quantity	Remarks

## TRANSMISSION 6

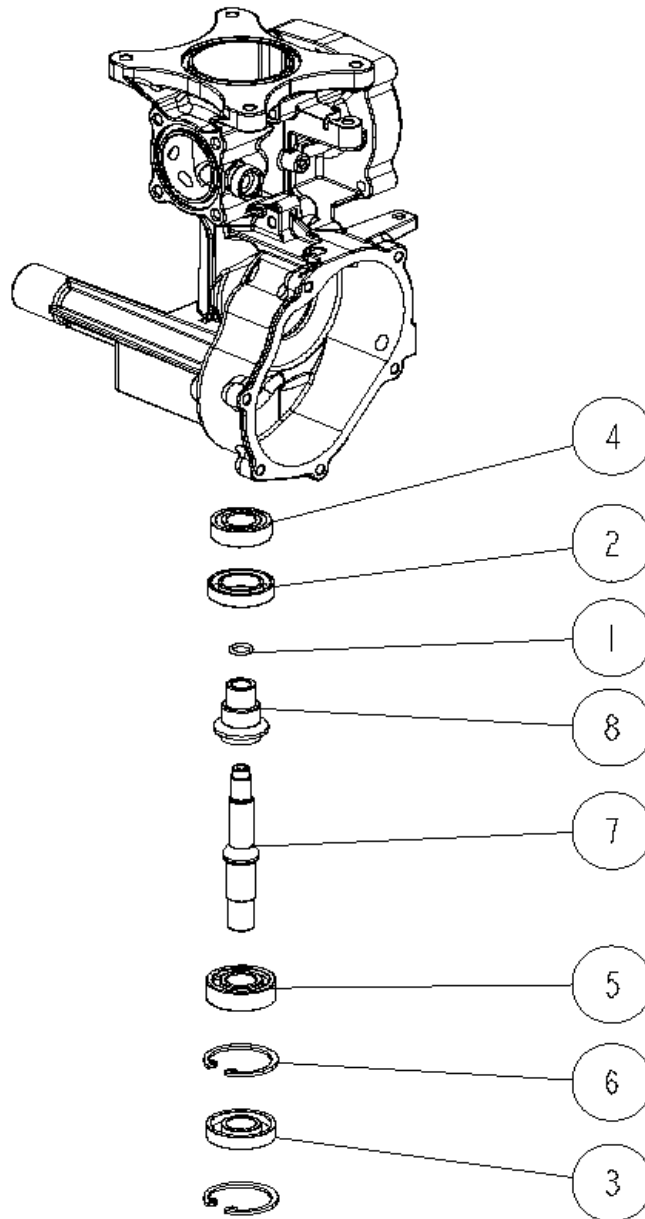


10	0023-72300	Hexagonal Bolt(8T) M8*28(Meck)	1	
9	0202-00100	Transmission Case Upper Cover CMP	1	
8	0202-10500	Handle Turn Table CMP	1	
7	0202-10900	Handle Collar	1	
6	0229-03400	Air Breather	1	
5	0229-05600	Collar R	2	
4	83-1260-111-00	Hexagonal Bolt (Meck) M8*28	2	
3	83-1761-112-00	Hexagonal Bolt (Meck) M8*20	4	
2	89-1750-080002	Spring Washer 8	6	
1	89-5222-060000	O Ring G60	1	
Ref.	Parts Number	Parts Name	Quantity	Remarks

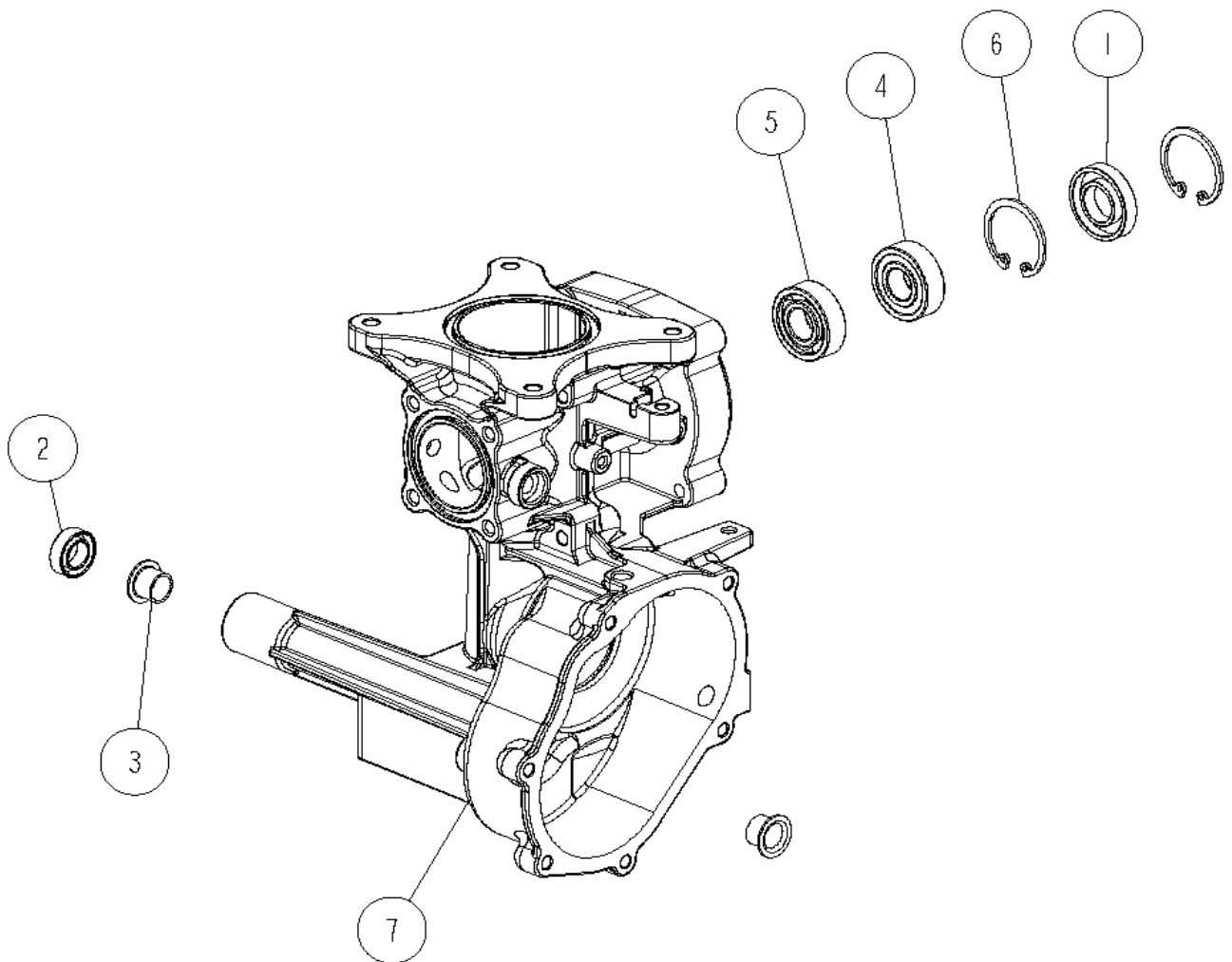
# TRANSMISSION 7



12	0202-00200	Bevel Gear A 26T	1	
11	0202-00300	Bevel Gear B 26T	1	
10	0202-00400	Bevel Gear 24T	1	
9	0202-00500	Direction Change Dock M	1	
8	0208-00210	Vertical Axle A	1	
7	0287-00100	Clutch Shaft CMP	1	
6	89-2511-000100	Snap Ring (S10)	1	
5	89-2511-000120	Snap Ring (S12)	1	
4	89-2512-000280	Snap Ring (R28)	1	
3	89-3111-069074	Bearing 6907	1	
2	89-3111-160054	Bearing 16005	1	
1	89-3115-060014	Bearing 6001 2RS	1	
Ref.	Parts Number	Parts Name	Quantity	Remarks

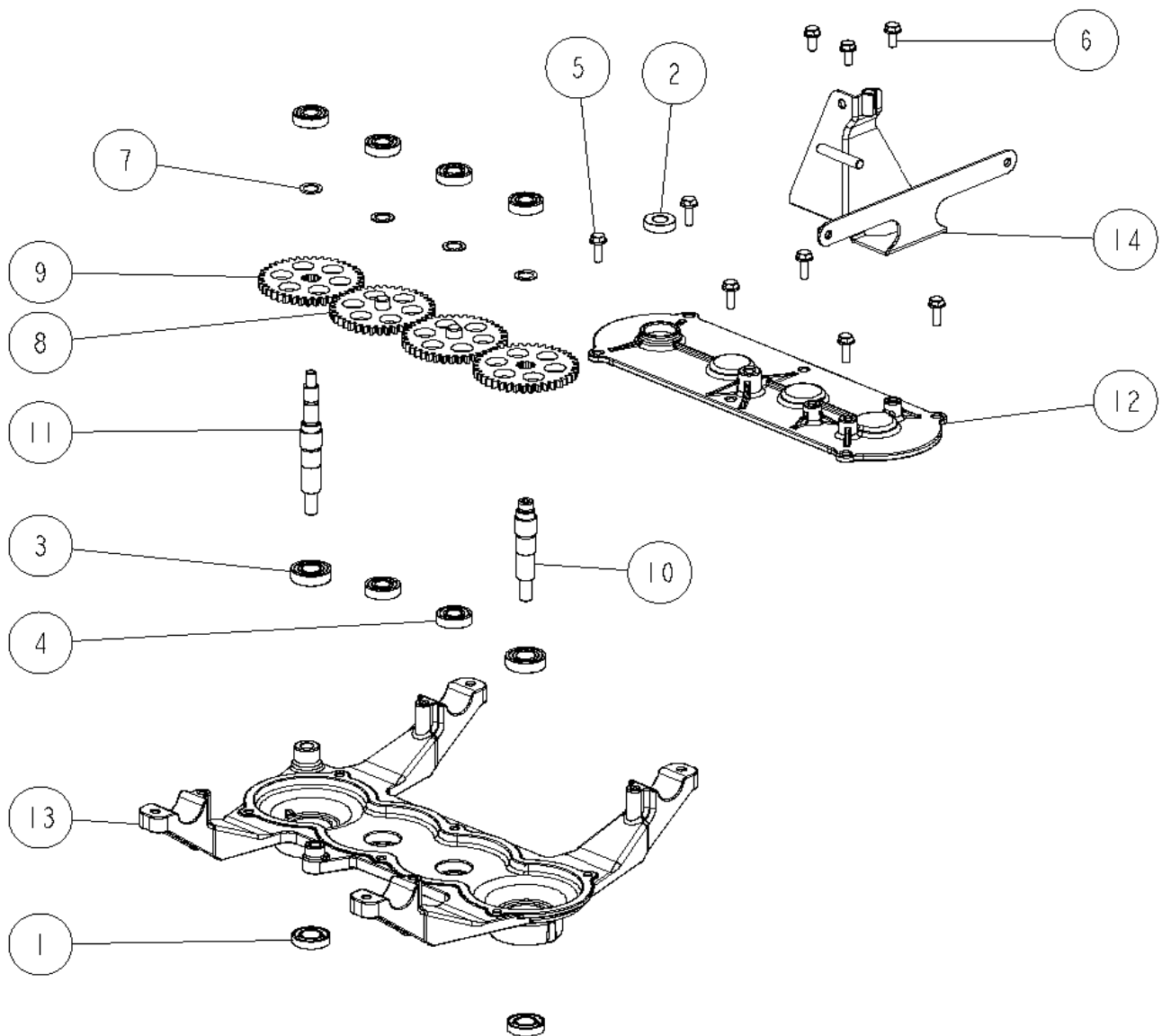


8	0229-02500	Bevel Gear 20T	1	
7	0229-02600	Vertical Axle B	1	
6	89-2512-000400	Snap Ring (R40)	2	
5	89-3111-062034	Bearing 6203	1	
4	89-3115-060034	Bearing 6003 2RS	1	
3	89-5121-174008	Oil Seal UE 17.40.8	1	
2	89-5121-223808	Oil Seal UE 22.38.8	1	
1	89-5221-010001	O Ring P10	1	
Ref.	Parts Number	Parts Name	Quantity	Remarks



7	0202-00800	Transmission Case L	1	
6	89-2512-000350	Snap Ring (R35)	2	
5	89-3111-062024	Bearing 6202	1	
4	89-3115-062024	Bearing 6202 2RS	1	
3	89-3511-012100	DU Bush 12.10.20F	2	
2	89-5121-122207	Oil Seal UE 12.22.7	1	
1	89-5125-173507	Oil Seal UE 17.35.7F	1	
Ref.	Parts Number	Parts Name	Quantity	Remarks

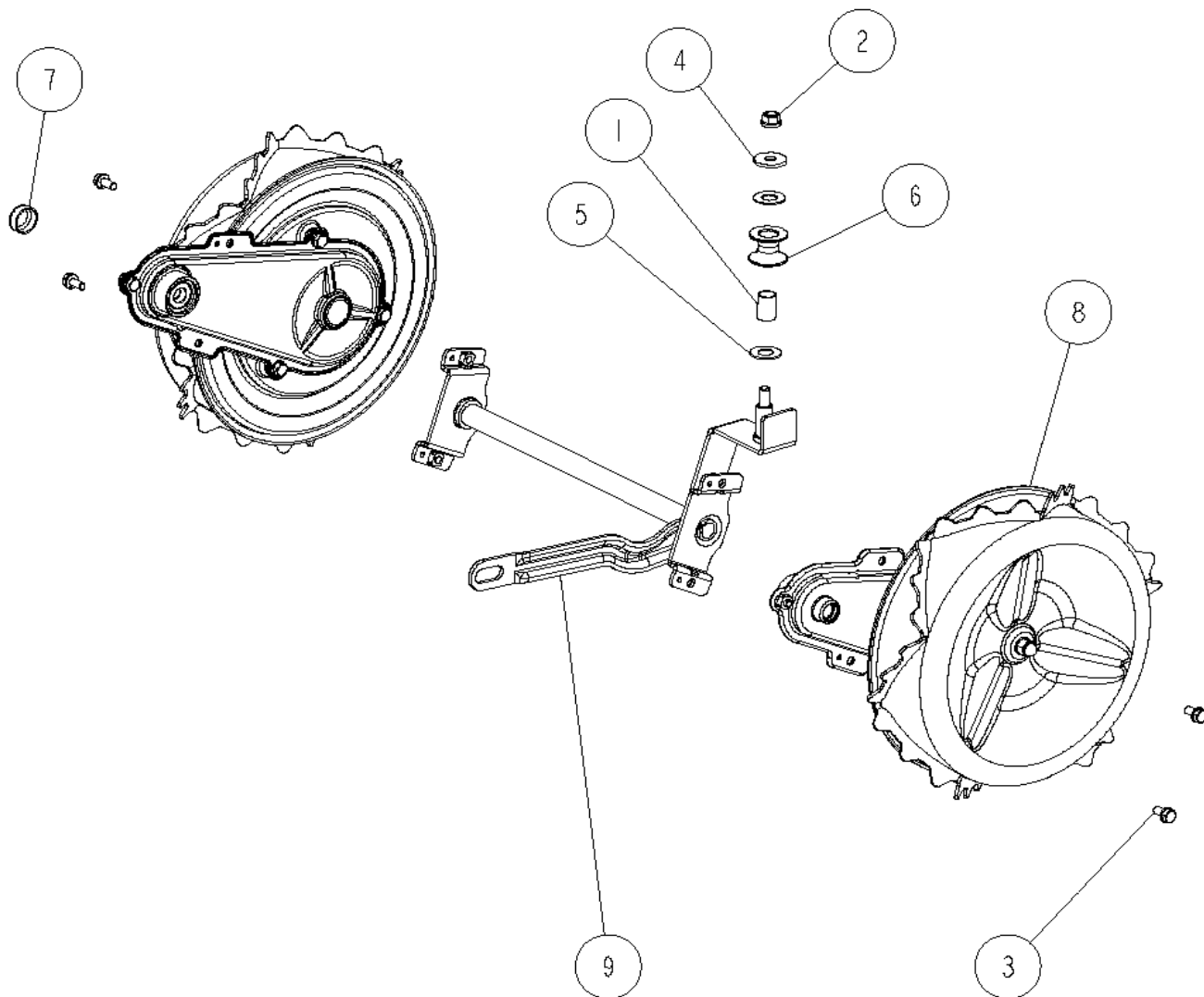
## GEAR FRAME



14	0202-31700	Drive Case Holder	1	
13	0208-20110	Knife Gear Frame A	1	
12	0208-20210	Knife Gear Frame B	1	
11	0208-50330	Knife Shaft A	1	
10	0208-50420	Knife Shaft B	1	
9	0208-50810	Knife Gear 40T	2	
8	0208-50910	Idle Gear 40T CMP	2	
7	0208-71100	Thrust Washer 12*18*1.0	4	
6	83-1020-148-00	Tapping Bolt M6*14	3	
5	83-1035-148-00	Tapping Bolt M6*18	6	
4	89-3115-060014	Bearing 6001 2RS	6	
3	89-3115-060024	Bearing 6002 2RS	2	
2	89-5121-122507	Oil Seal UE 12.25.7	1	
1	89-5121-153007	Oil Seal UE 15.30.7	2	
Ref.	Parts Number	Parts Name	Quantity	Remarks

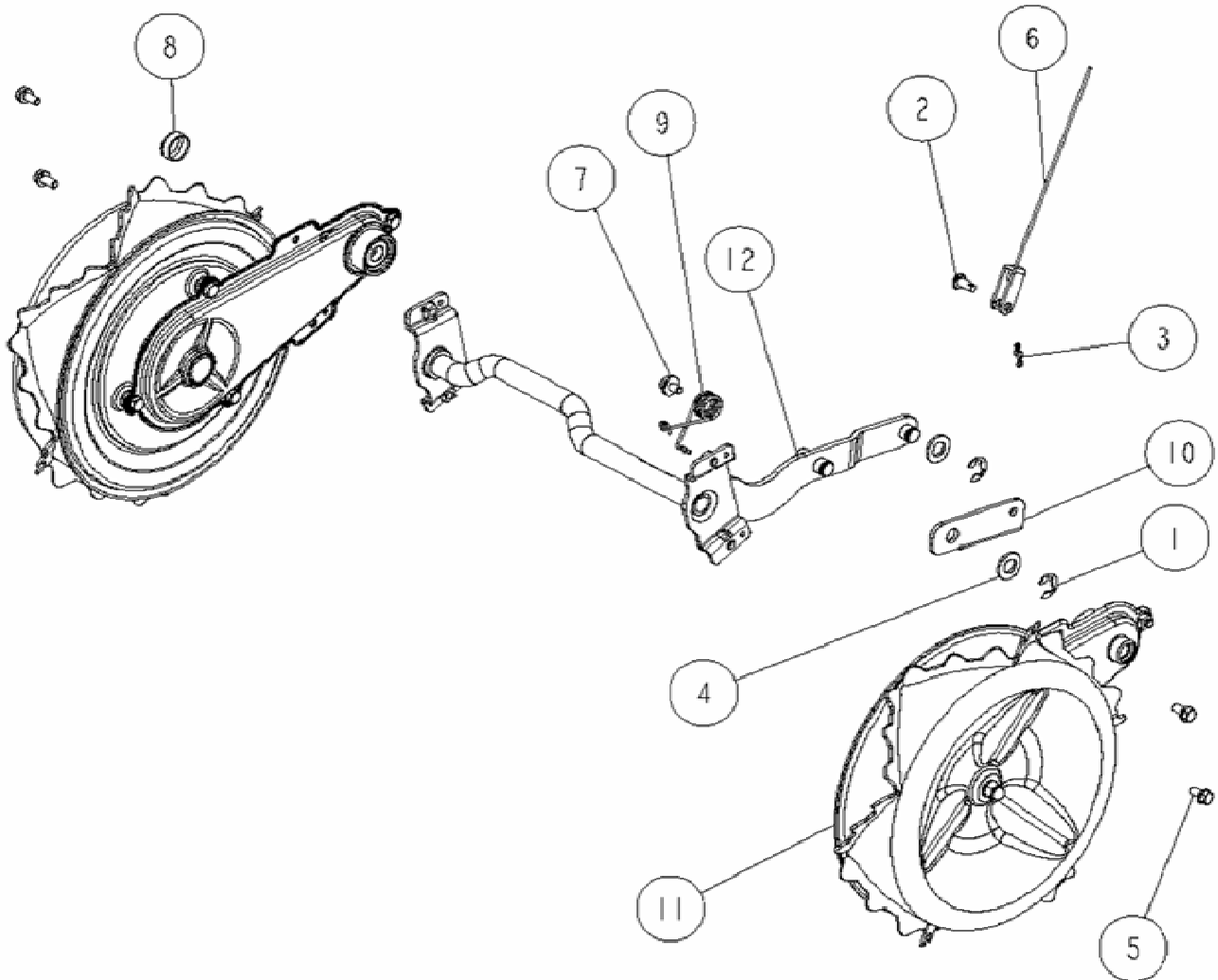


FRONT WHEEL



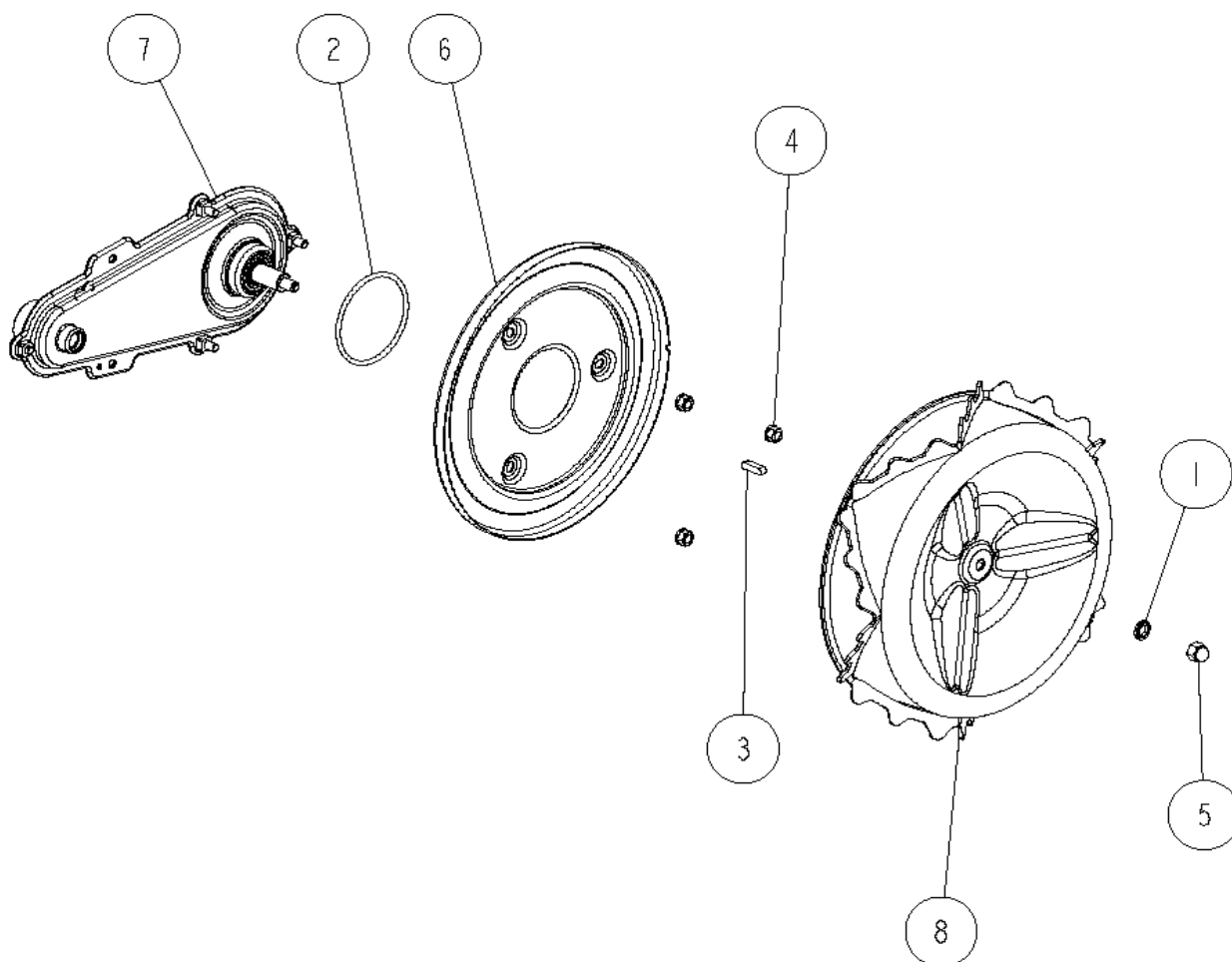
9	0202-31300	Front Wheel Reinforcement CMP	1	
8	0202-32000	Wheel Assy	2	
7	0208-32600	Dust Seal 19	1	
6	80-1484-354-10	Brake Rod Roller	1	
5	83-1020-355-00	Thrust Washer 12*24*1.0	2	
4	83-1751-311-00	Flat Washer 8*25*2.3	1	
3	89-1135-060142	Hexagonal Bolt (SW) M6*14	4	
2	89-1543-080002	Mini Hexagonal Nut (SW) M8	1	
1	89-3510-012200	DU Bush 12.20	1	
Ref.	Parts Number	Parts Name	Quantity	Remarks

## REAR WHEEL



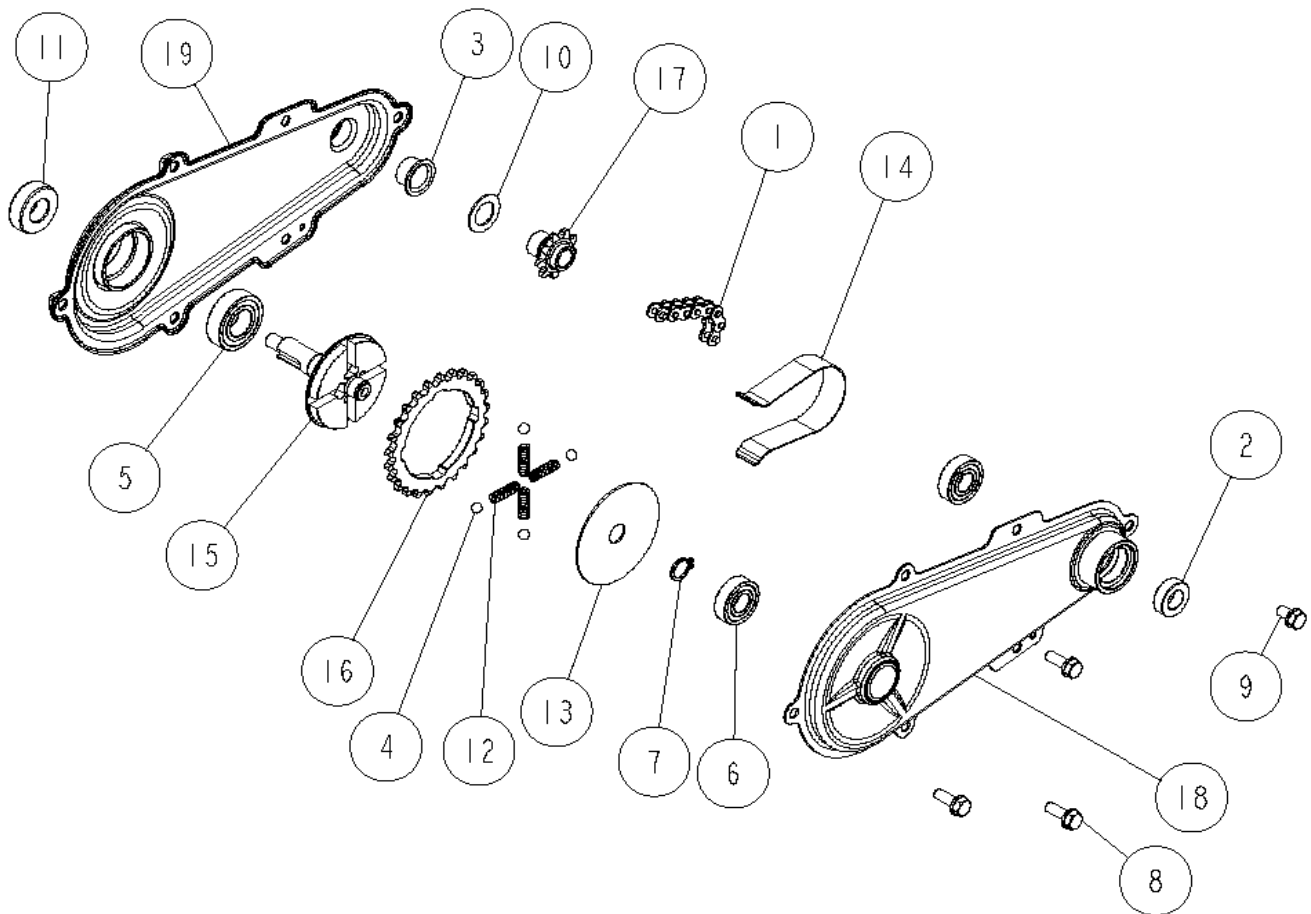
12	0202-31400	Rear Wheel Reinforcement CMP	1	
11	0202-32000	Wheel Assy	2	
10	0208-32200	Cutting Height Adjust Wire Arm	1	
9	0208-32500	Spring, Cutting Height Adjust Arm	1	
8	0208-32600	Dust Seal 19	1	
7	0208-72700	Hexagonal Bolt (PW Large,SW) M6*12	1	
6	0229-70400	Wire, Cutting Height	1	
5	89-1135-060142	Hexagonal Bolt (SW) M6*14	4	
4	89-1711-120002	Flat Washer 12	2	
3	89-2132-060002	Snap Pin 6 (with stopper)	1	
2	89-2181-060142	Flat Head Pin 6*14	1	
1	89-2521-000100	E Type Ring 10	2	
Ref.	Parts Number	Parts Name	Quantity	Remarks

WHEEL

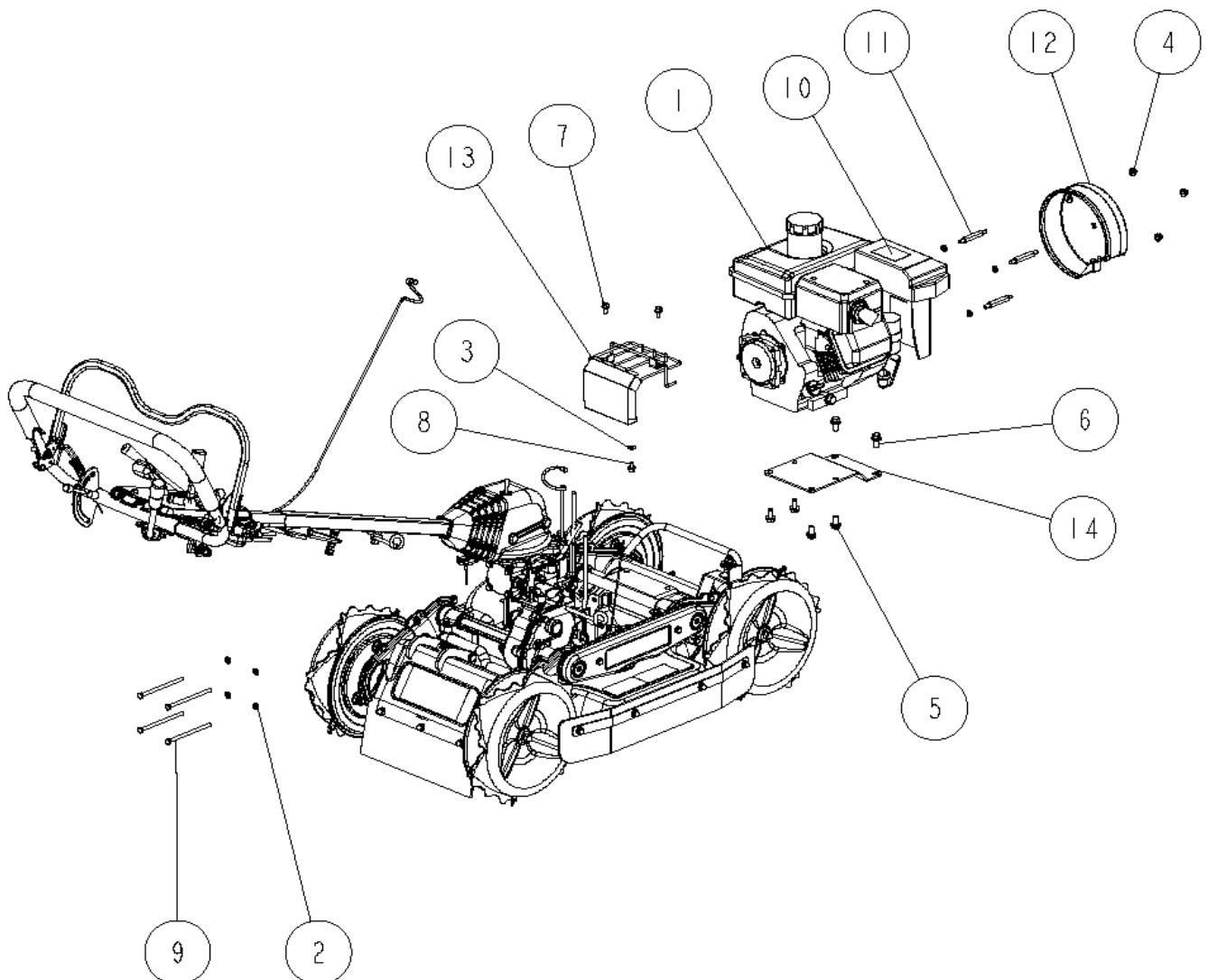


8	0202-30400	Spike Wheel	1	
7	0202-31000	Chain Case ASSY	1	
6	0202-31800	Rear Wheel Dust Cover	1	
5	0208-31000	Hexagon U Cap Nut M8	1	
4	89-1541-060002	Hexagonal Nut (SW) M6	3	
3	89-2150-050200	Key 5*20 (round)	1	
2	89-5222-065000	O Ring G65	1	
1	89-5230-080000	Seal Washer 8	1	
Ref.	Parts Number	Parts Name	Quantity	Remarks

## DRIVE CHAIN CASE

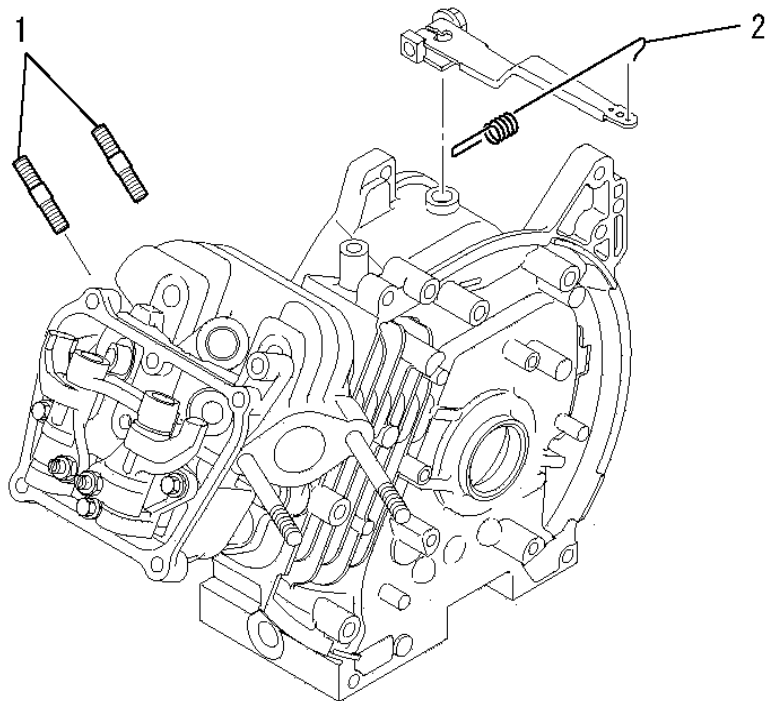


19	0202-30100	Chain Case Outer CMP	1	
18	0202-30200	Chain Case Inner CMP	1	
17	0202-30500	Sprocket, 9T	1	
16	0202-30600	Sprocket, 25T	1	
15	0202-30700	Drive Shaft	1	
14	0202-30800	Tightner Spring	1	
13	0202-30900	Thrust Washer 12*65*1.0	1	
12	0202-31100	Limiter Spring	4	
11	0229-34200	Oil Seal MUD 15*30*10	1	
10	83-1020-361-00	Thrust Washer 15*24*1.0	1	
9	89-1135-060122	Hexagonal Bolt (SW) M6*12	1	
8	89-1135-060182	Hexagonal Bolt (SW) M6*18	3	
7	89-2511-000120	Snap Ring (S12)	1	
6	89-3115-060014	Bearing 6001 2RS	2	
5	89-3115-060034	Bearing 6003 2RS	1	
4	89-3410-060000	Steel Ball 6.0	4	
3	89-3511-015100	DU Bush 15.10.23F	1	
2	89-5121-122207	Oil Seal UE 12.22.7	1	
1	89-6512-035054	Chain #35-54L	1	
Ref.	Parts Number	Parts Name	Quantity	Remarks



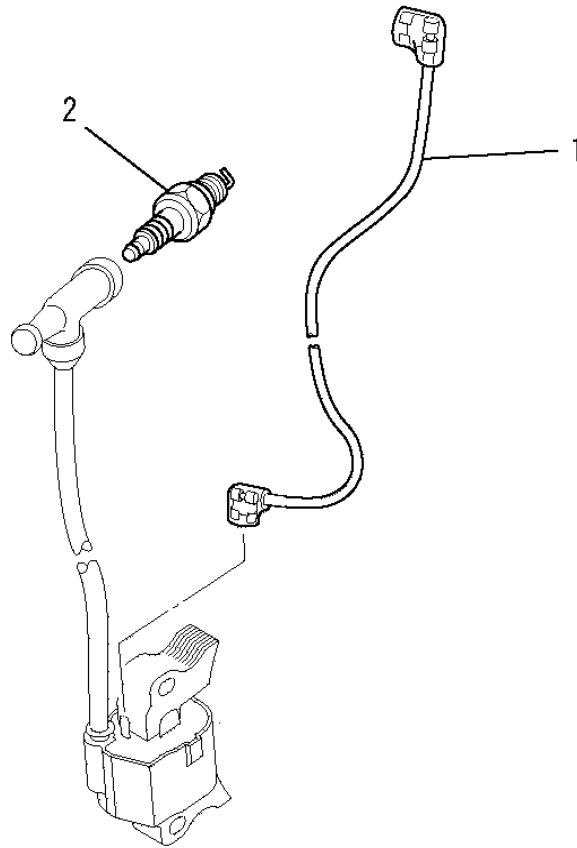
14	0202-31500	Engine Reinforce M	1	
13	0202-60200	Muffler Guard	1	
12	0202-71300	Recoil Cover CMP	1	
11	0202-71400	Stud Bolt	3	
10	0214-72100	Label, Caution for Engine etc	1	
9	89-1113-061052	Hexagonal Bolt (8T) M6*105	4	
8	89-1138-060122	Hexagonal Bolt (SW) M6*12	1	
7	89-1138-060142	Hexagonal Bolt (SW) M6*14	2	
6	89-1233-080202	Mini Hexagonal Bolt (PWSW) M8*20	2	
5	89-1253-080162	Flange Mini Hexagonal Bolt (8T) M8*16	4	
4	89-1581-060042	Flange Cap Nut M6	3	
3	89-1711-060002	Flat Washer 6	1	
2	89-1750-060002	Spring Washer 6	7	
1	ENGINE	GB100PN-451	1	
Ref.	Parts Number	Parts Name	Quantity	Remarks

# 1. BOLT, SPRING, COVER



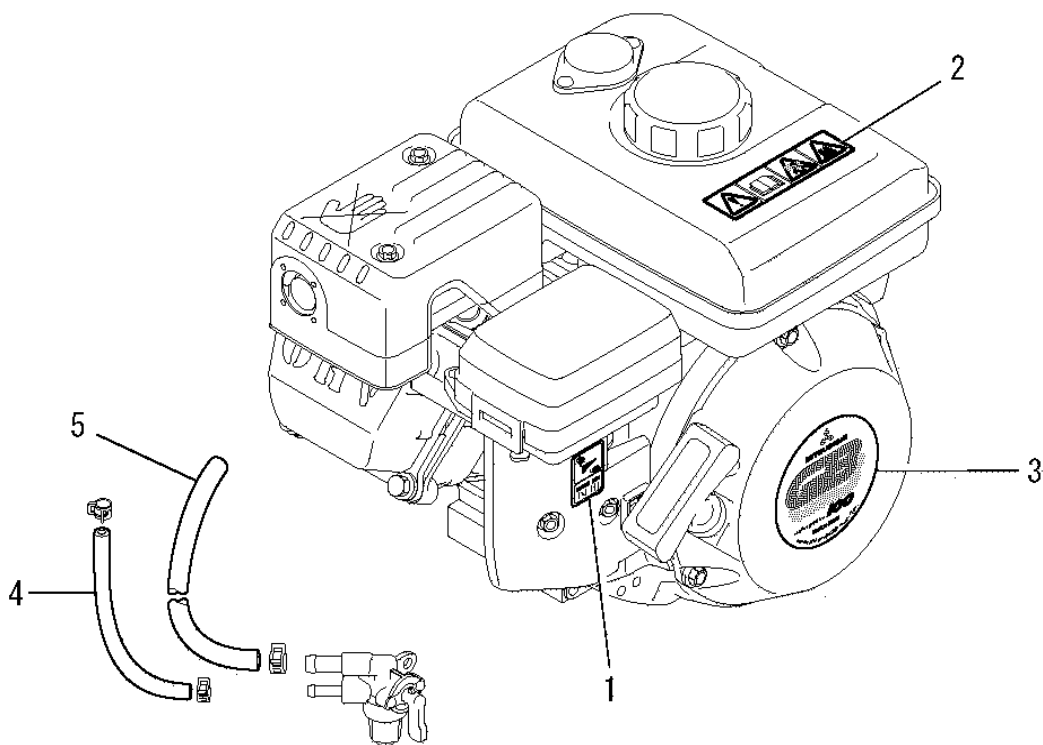
No.	R/N	Parts No.	Parts Name	No. Req'd	Inte	Remarks	Serial No. (From~To)
1		B155B08X020	BOLT, STUD	2			
2		KG34046AB	SPRING, GOV	1			

## 2. LEAD WIRE, PLUG, CAP



No.	R/N	Parts No.	Parts Name	No. Req'd	Inte	Remarks	Serial No. (From~To)
1		KE90177BA	WIRE, LEAD	1			
2		FA21273	PLUG, SPARK	1		BP6HS	

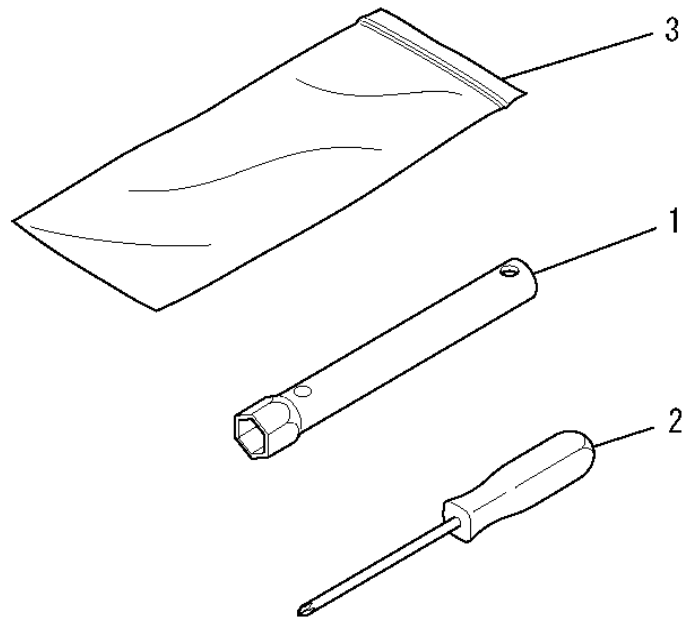
### 3. LABEL, FUEL HOSE



No.	R/N	Parts No.	Parts Name	No. Req'd	Inte	Remarks	Serial No. (From~To)
1		KW56257BA	LABEL	1			
2		KW55086AA	LABEL, CAUTION	1			
3		KW56259AA	LABEL, NAME	1			
4		P051Y04X135	HOSE, FUEL	1			
5		P051Y08X330	HOSE, FUEL	1			

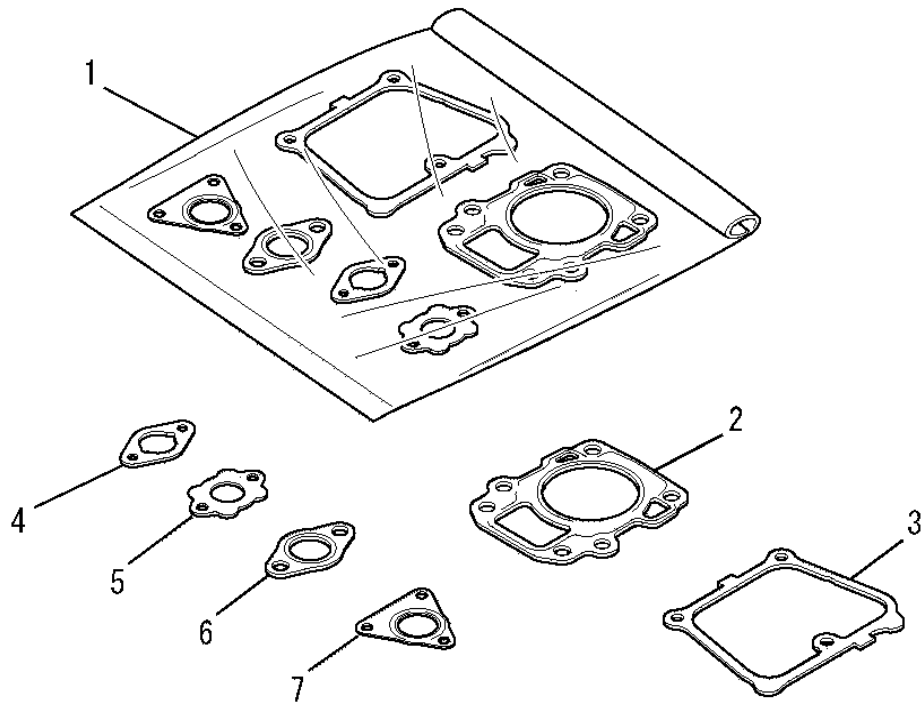


## 4. TOOL SET



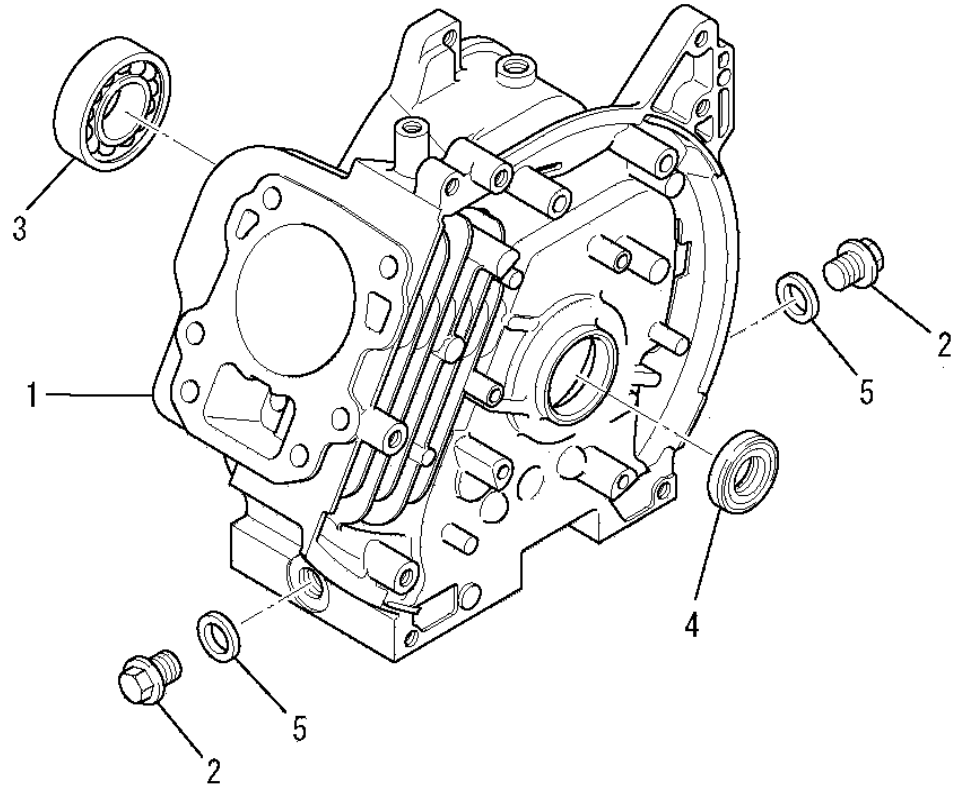
No.	R/N	Parts No.	Parts Name	No. Req'd	Inte	Remarks	Serial No. (From~To)
1		KN12007AA	SPANNER, BOX	1			
2		KN13002AA	DRIVER, SCREW	1			
3		KN15001AA	BAG, TOOL	1			

# 5. GASKET SET



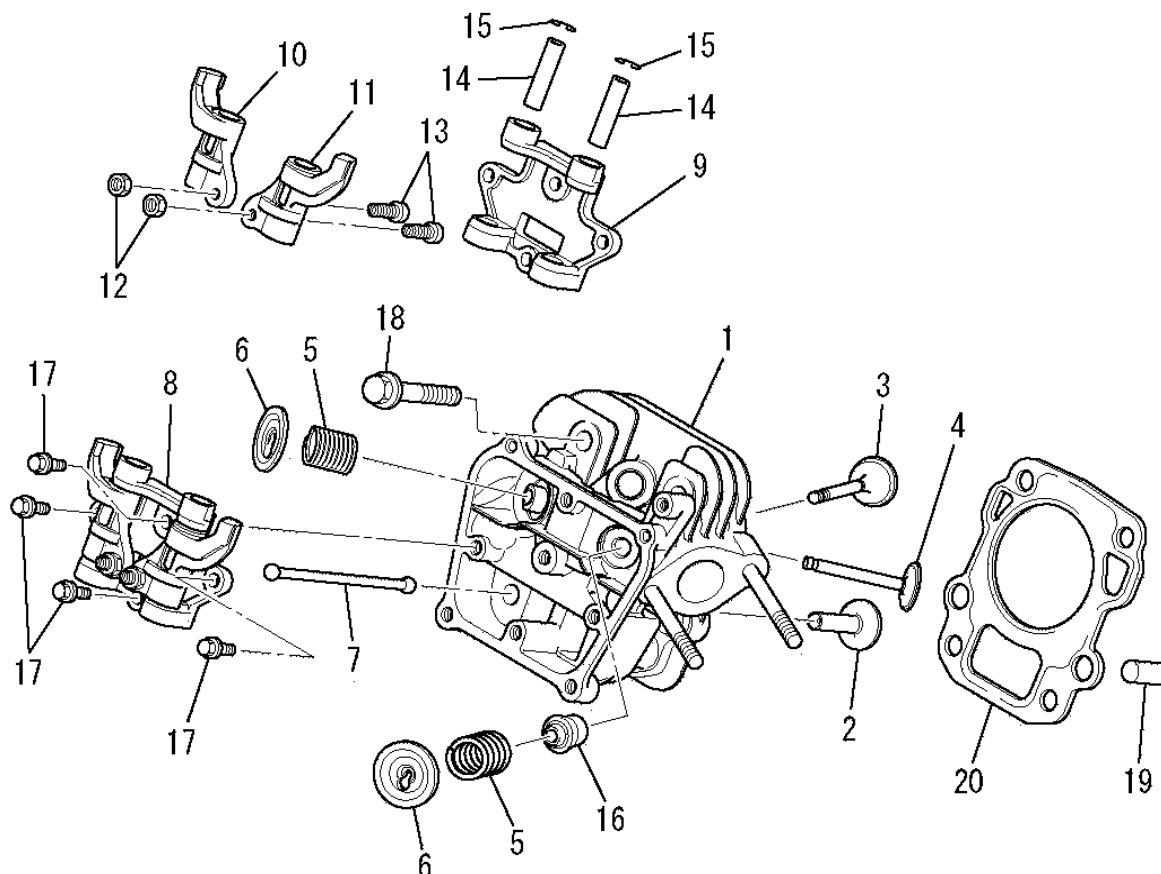
No.	R/N	Parts No.	Parts Name	No. Req'd	Inte	Remarks	Serial No. (From~To)
1		KW39096AA	GASKET SET	1		INCL. NO. 2-7	
2		KC65003AA	GASKET, HEAD	1			
3		KW33016AA	GASKET, HEAD COVER	1			
4		KW34029AA	GASKET, CARBURETOR	1			
5		KW34077AA	GASKET, CARBURETOR	1			
6		KM70040AA	GASKET, MUFFLER	1			
7		KM70064AA	GASKET, MUFFLER	1			

# (A) CYLINDER BLOCK GROUP



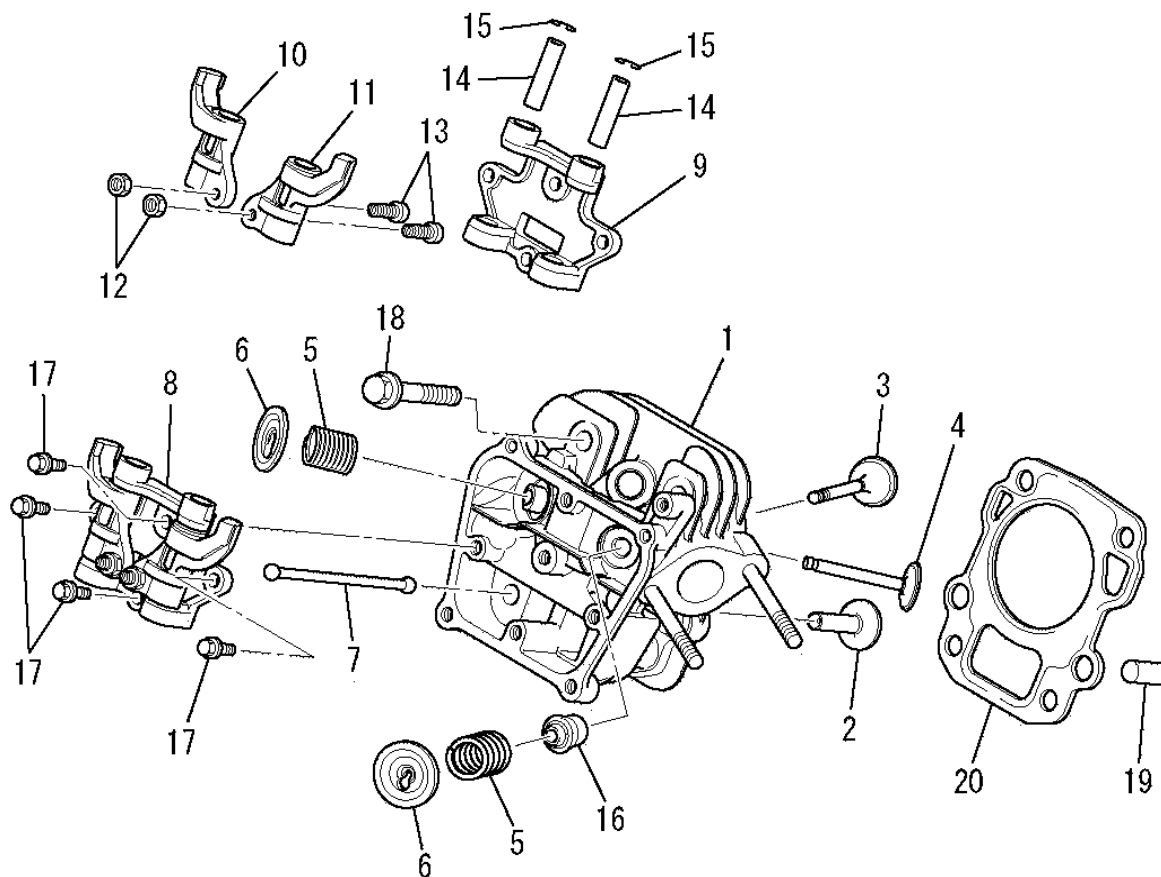
No.	R/N	Parts No.	Parts Name	No. Req'd	Inte	Remarks	Serial No. (From~To)
1		KB41006AA	CYLINDER BLOCK	1			
2		FN11223	PLUG, DRAIN	2			
3		FN15746	BEARING, BALL	1			
4		FR41845	OIL SEAL	1			
5		ZZ70013A	GASKET	2			

## (B) CYLINDER HEAD GROUP



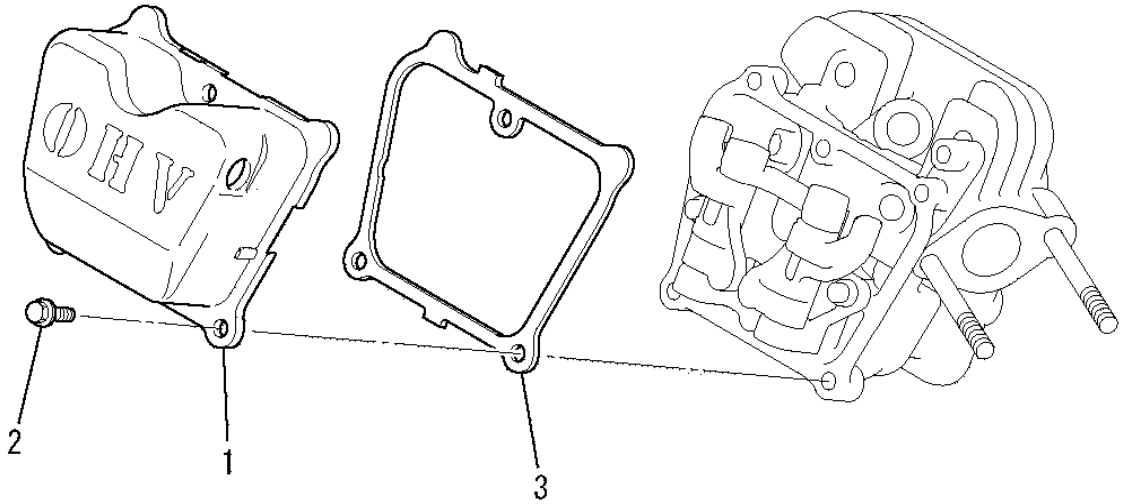
No.	R/N	Parts No.	Parts Name	No. Req'd	Inte	Remarks	Serial No. (From~To)
1		KC02059AA	CYLINDER HEAD ASSY	1		WITH B155B06X080	
2		KV24009AA	TAPPET	2			
3		KV33005AA	VALVE, INTAKE	1			
4		KV42002AA	VALVE, EXHAUST	1			
5		KV55010AA	SPRING, VALVE	2			
6		KV64002AA	RETAINER, VALVE SPG	2			
7		KV71013AA	ROD, PUSH	2			
8		KV02005AA	ROCKER ARM ASSY	1		INCL. NO. 9-15	
9		KV74009AA	PLATE	1			
10		KV72012AA	ARM, ROCKER	1			
11		KV72013AA	ARM, ROCKER	1			
12		KU23013AA	NUT	2			

## (B) CYLINDER HEAD GROUP



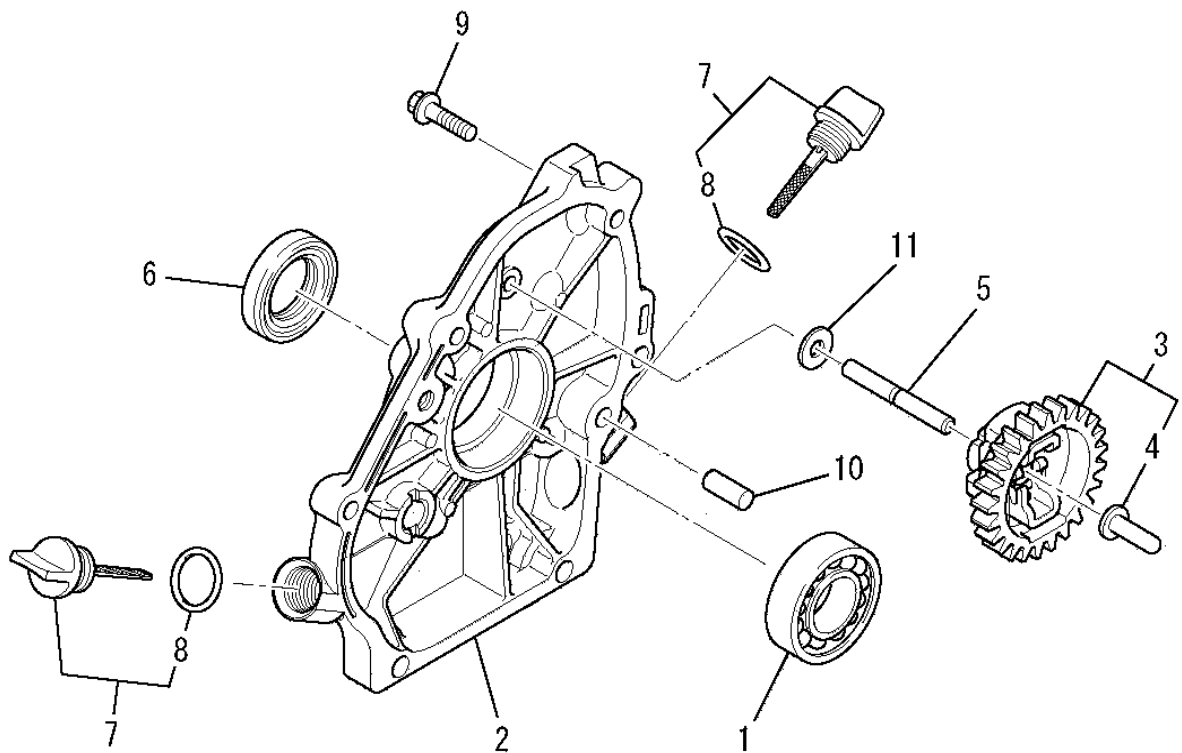
No.	R/N	Parts No.	Parts Name	No. Req'd	Inte	Remarks	Serial No. (From~To)
13		KV73004AA	SCREW, ADJUST	2			
14		KV75009BA	SHAFT	2			
15		FR34111	CLIP, PISTON PIN	2			
16		KW21023AA	SEAL, VALVE STEM	1			
17		B800A06X016	BOLT, FLANGE	4			
18		B800B08X055	BOLT, FLANGE	4			
19		KU44001AA	PIN, DOWEL	2			
20		KC65003AA	GASKET, HEAD	1			

# (C) HEAD COVER GROUP



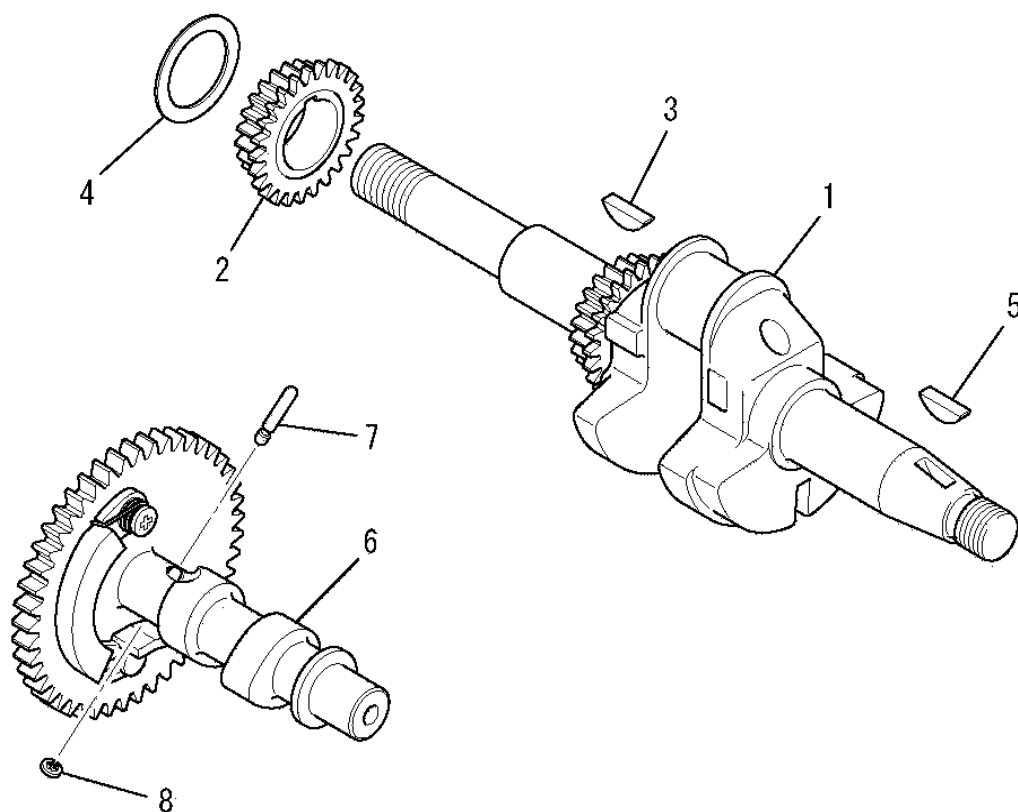
No.	R/N	Parts No.	Parts Name	No. Req'd	Inte	Remarks	Serial No. (From~To)
1		KC09015AA	HEAD COVER ASSY	1			
2		B805B06X012	BOLT, FLANGE	3			
3		KW33016AA	GASKET, HEAD COVER	1			

## (D) CASE COVER GROUP



No.	R/N	Parts No.	Parts Name	No. Req'd	Inte	Remarks	Serial No. (From~To)
1		FN15746	BEARING, BALL	1			
2		KB61008FA	COVER, CRANKCASE	1			
3		KG01007AA	GOVERNOR GEAR ASSY	1		INCL. NO. 4	
4		KG14006AA	SLIDER, GOV	1			
5		KG22004AA	SHAFT, GOV	1			
6		KW23002AA	OIL SEAL	1			
7		KL21006EA	GAUGE, OIL	2		INCL. NO. 8	
8		KW23003AA	O-RING	2			
9		B800B06X025	BOLT, FLANGE	6			
10		KU44001AA	PIN, DOWEL	2			
11		W200H06	WASHER	1			

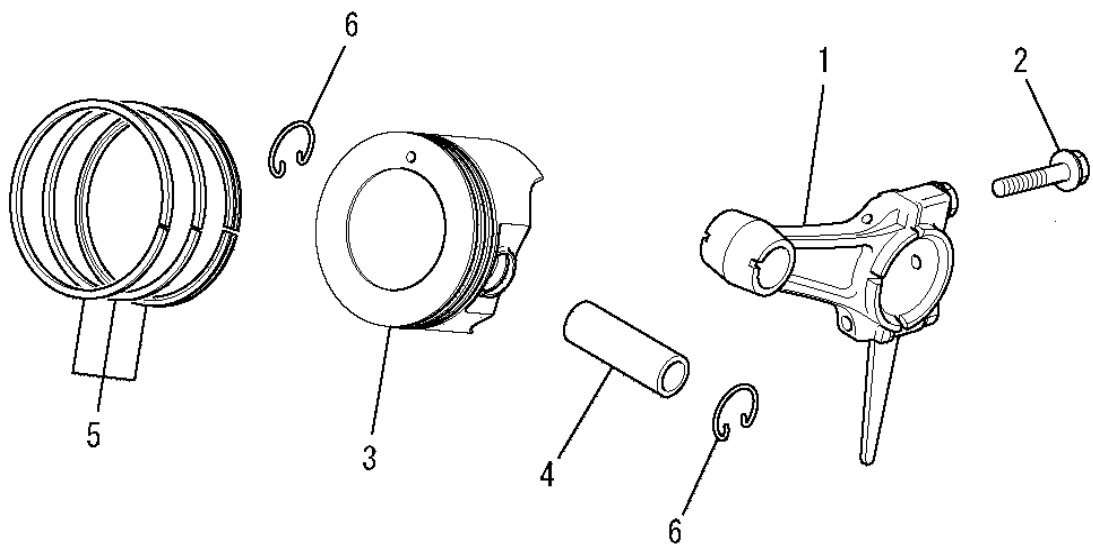
## (E) CRANKSHAFT GROUP



No.	R/N	Parts No.	Parts Name	No. Req'd	Inte	Remarks	Serial No. (From~To)
1		KD02069JA	CRANKSHAFT ASSY	1		INCL. NO. 2, 3	
2		KD06002AA	GEAR, CRANKSHAFT	1			
3		KD90016AA	KEY, WOODRUFF	1			
4		KU39008BA	SHIM	1			
5		KD90016AA	KEY, WOODRUFF	1			
6		KV01206AA	CAMSHAFT ASSY	1		INCL. NO. 7, 8	
7		KV83009AC	PIN	1			
8		S500P03	SNAP RING	1			

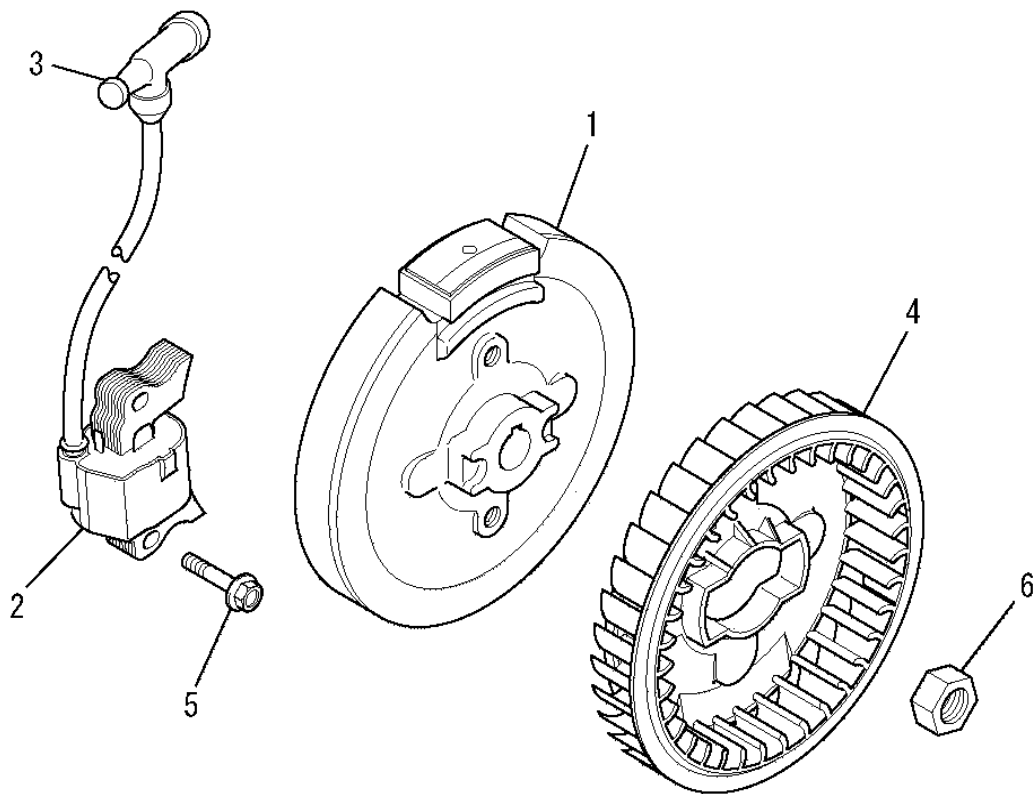


## (F) PISTON & ROD GROUP



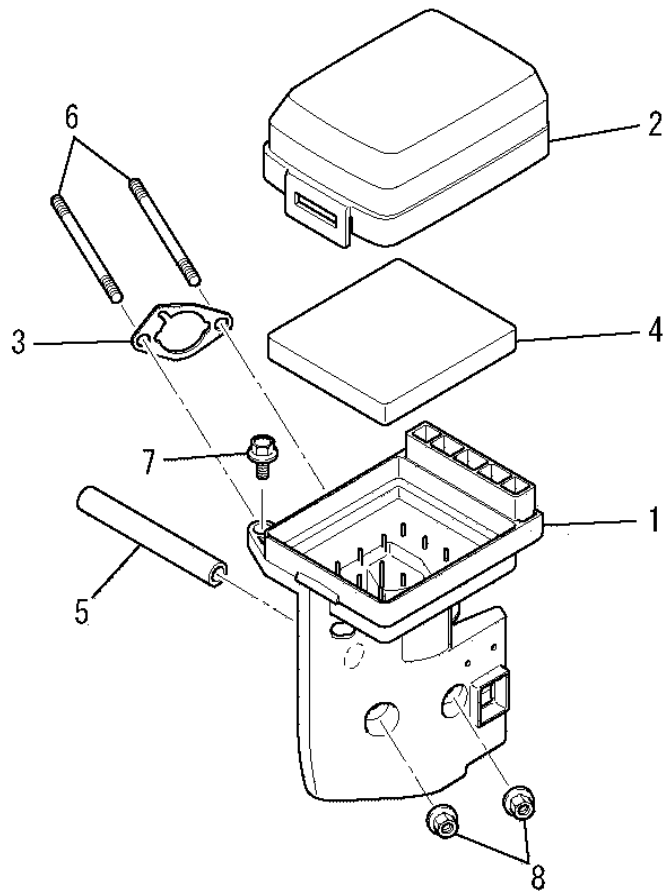
No.	R/N	Parts No.	Parts Name	No. Req'd	Inte	Remarks	Serial No. (From~To)
1		KD03025AA	CONNECTING ROD ASSY	1		STD INCL. NO. 2	
1	1	KD03025BA	CONNECTING ROD ASSY	1		US 0.25 INCL. NO. 2	
1	2	KD03025CA	CONNECTING ROD ASSY	1		US 0.50 INCL. NO. 2	
2		B800B06X025	BOLT, FLANGE	2			
3		KP15006AA	PISTON	1		STD	
3	1	KP15006BA	PISTON	1		OS 0.25	
3	2	KP15006CA	PISTON	1		OS 0.50	
4		KP55006AA	PIN, PISTON	1			
5		KP02018AA	PISTON RING SET	1		STD	
5	1	KP02018BA	PISTON RING SET	1		OS 0.25	
5	2	KP02018CA	PISTON RING SET	1		OS 0.50	
6		KP90002AA	CLIP, PISTON PIN	2			

## (G) MAGNETO GROUP



No.	R/N	Parts No.	Parts Name	No. Req'd	Inte	Remarks	Serial No. (From~To)
1		KE12030AA	FLYWHEEL	1			
2		KE24021AA	COIL, IGNITION	1			
3		KE42037AA	CAP, PLUG	1			
4		KE90241AA	FAN	1			
5		B805B06X025	BOLT, FLANGE	2			
6		FR41231	NUT	1			

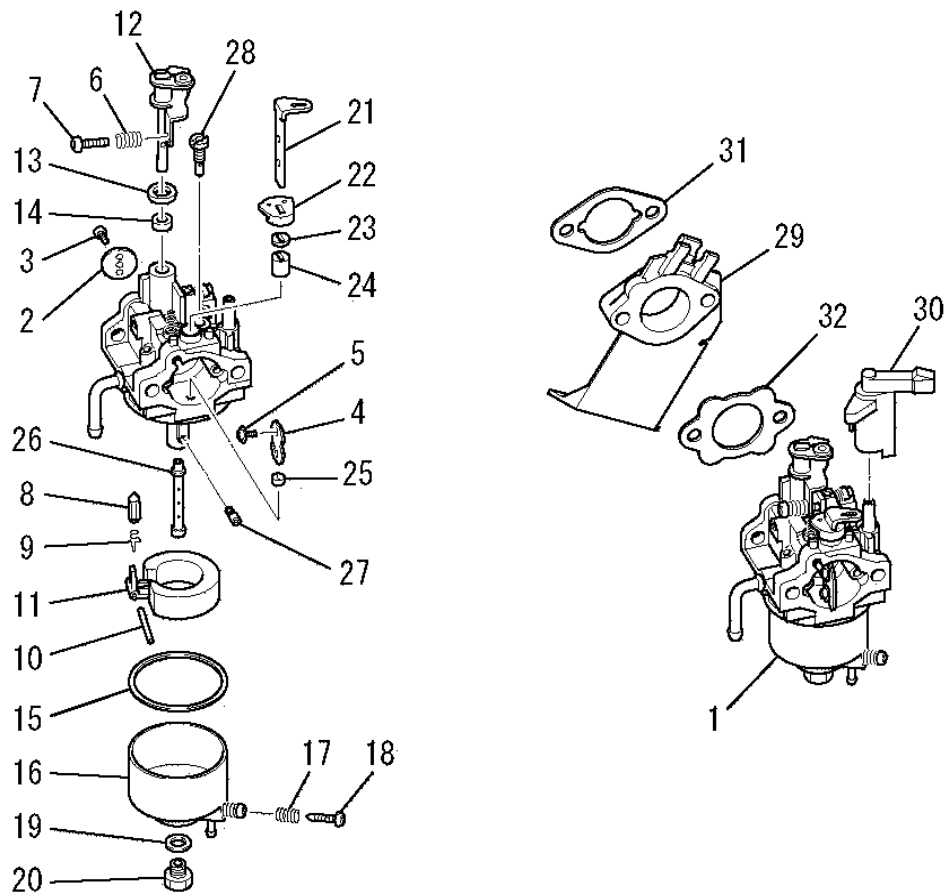
## (H) AIR CLEANER GROUP



No.	R/N	Parts No.	Parts Name	No. Req'd	Inte	Remarks	Serial No. (From~To)
1		KA01091AA001	CASE, CLEANER	1			
2		KA01091AA002	COVER, CLEANER	1			
3		KA01091AA003	PACKING	1			
4		KA01091AA004	ELEMENT, CLEANER	1			
5		ZZ70002R	TUBE, BREATHER	1			
6		B155B06X080	BOLT, STUD	2			
7		B800A06X020	BOLT, FLANGE	1			
8		N801A06	NUT, FLANGE	2			

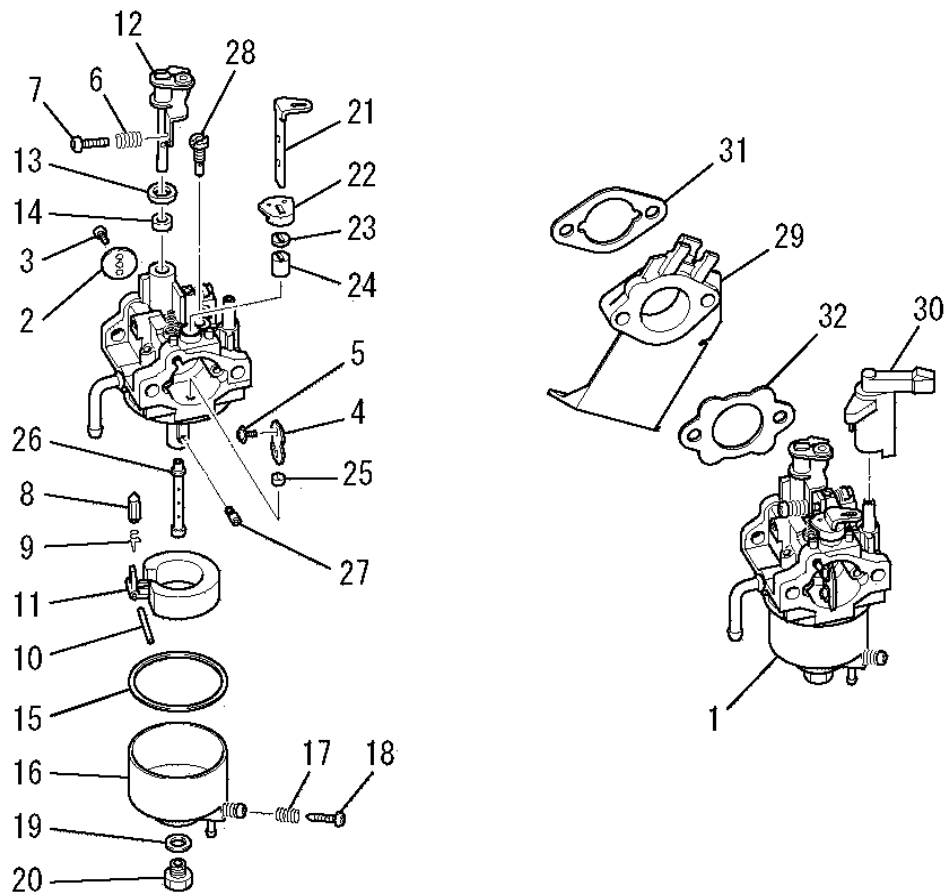


# (I) CARBURETOR GROUP



No.	R/N	Parts No.	Parts Name	No. Req'd	Inte	Remarks	Serial No. (From~To)
13		KK12008AE015	PACKING	1			
14		KK12008AE016	SEAL	1			
15		KK14001AA018	GASKET	1			
16		KK12008AE023	CHAMBER, FLOAT	1		INCL. NO. 17, 18	
17		FA27080XX003	SPRING	1			
18		KK12008AE029	SCREW	1			
19		KK12008AE026	PACKING	1			
20		KK12008AE027	BOLT	1			
21		KK12046AA022	LEVER, CHOKE	1			
22		KK12008AE018	RING	1			
23		KK12008AE019	SEAL	1			
24		KK12008AE020	RING	1			

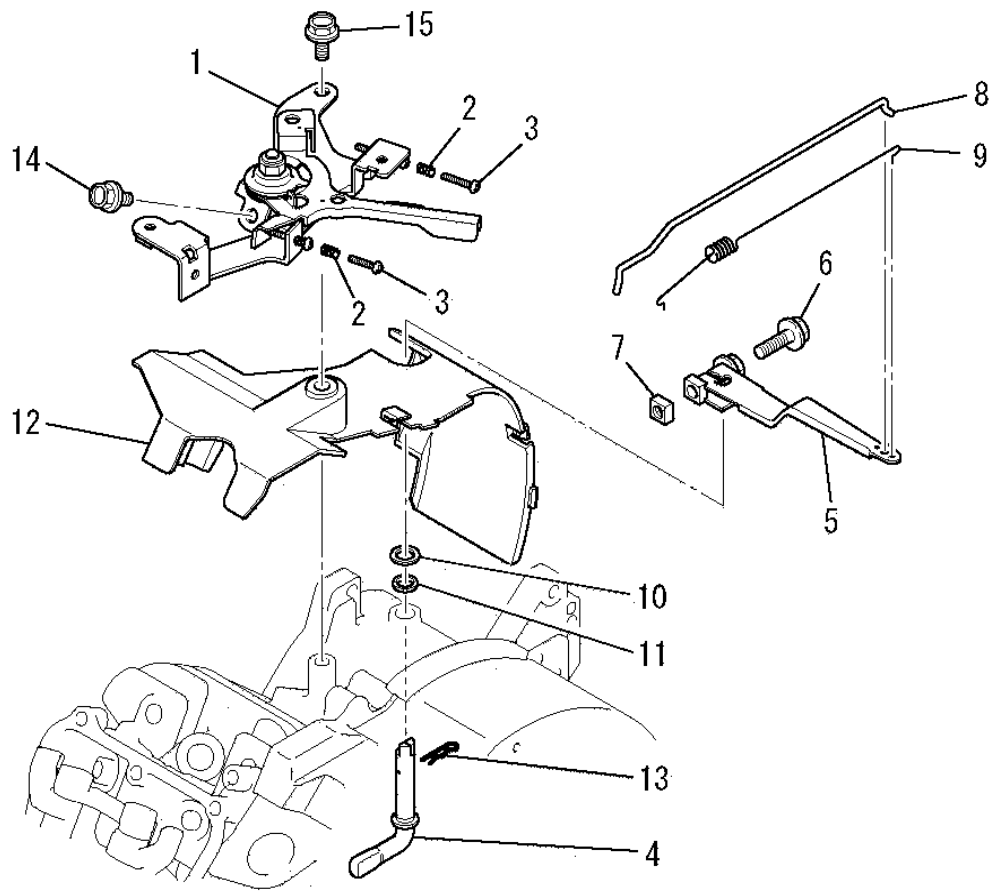
# (I) CARBURETOR GROUP



No.	R/N	Parts No.	Parts Name	No. Req'd	Inte	Remarks	Serial No. (From~To)
25		KK12008AE021	RING	1			
26		KK12046AA027	NOZZLE, MAIN	1			
27		KK12046AA028	JET, MAIN	1			
28		KK74508AA375	JET, PILOT	1			
29		KK32006AA	INSULATOR	1			
30		KK90058AA	LEVER, CHOKE	1			
31		KW34029AA	GASKET, CARBURETOR	1			
32		KW34077AA	GASKET, CARBURETOR	1			



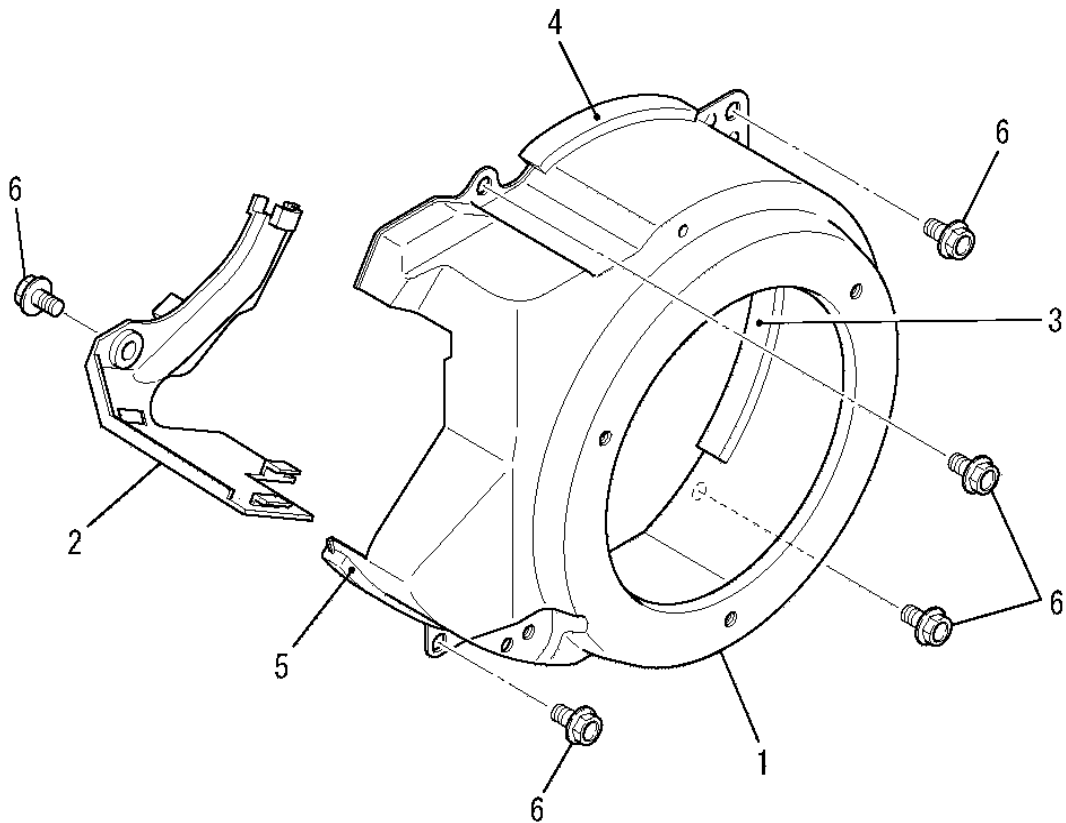
# (J) CONTROL PANEL GROUP



No.	R/N	Parts No.	Parts Name	No. Req'd	Inte	Remarks	Serial No. (From~To)
13		KU70006AA	CLIP	1			
14		B805B06X012	BOLT, FLANGE	1			
15		B805B06X016	BOLT, FLANGE	1			

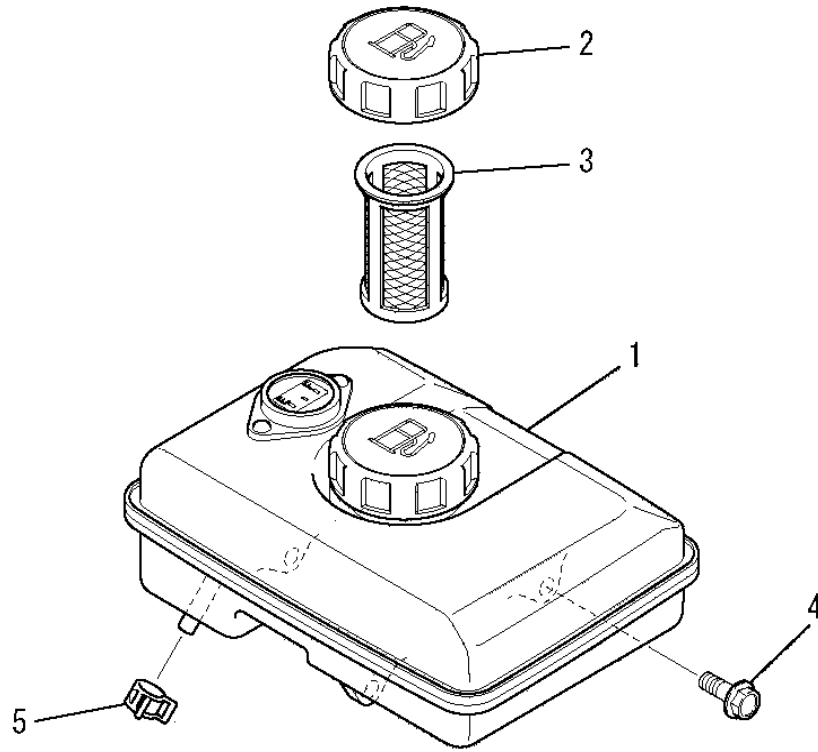


# (K) FAN COVER GROUP



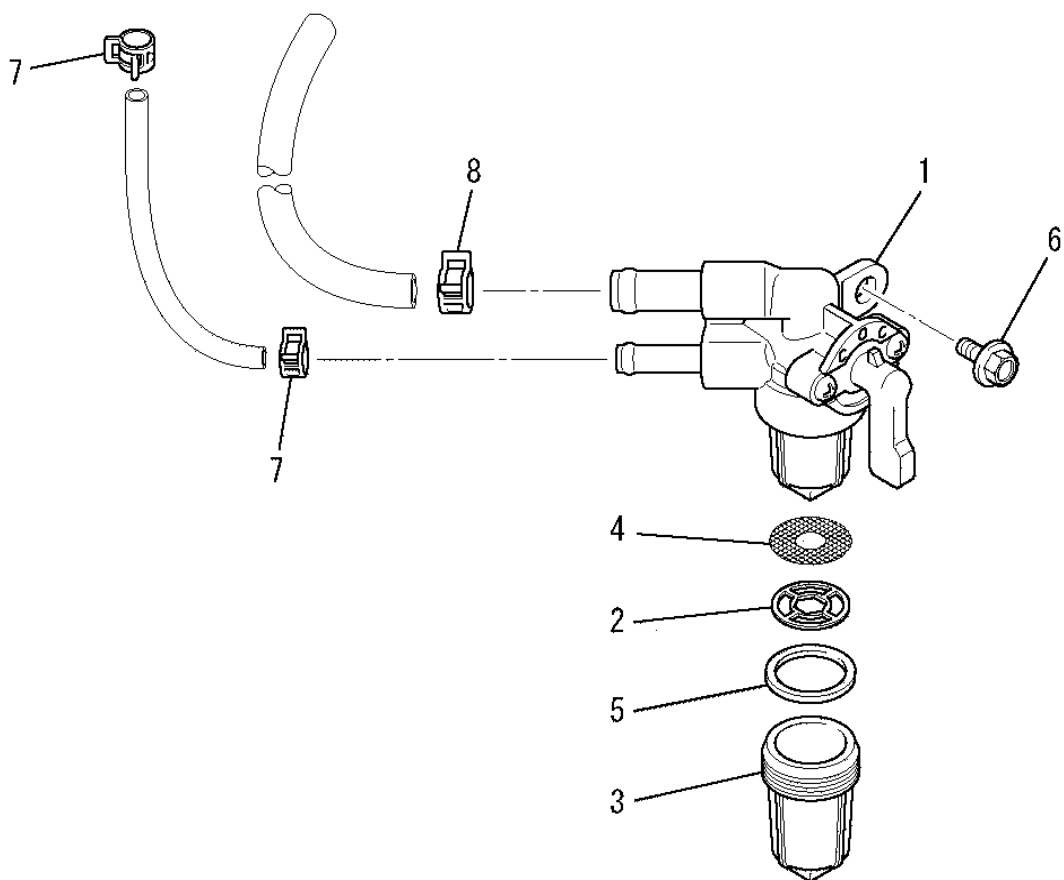
No.	R/N	Parts No.	Parts Name	No. Req'd	Inte	Remarks	Serial No. (From~To)
1		KH24005AA	COVER, FAN	1			
2		KH40100AA	COVER, CYLINDER	1			
3		KH90075AA	RUBBER CUSHION	1			
4		KH90075BA	RUBBER CUSHION	1			
5		KH90075CA	RUBBER CUSHION	1			
6		B805B06X012	BOLT, FLANGE	5			

# (M) TANK GROUP



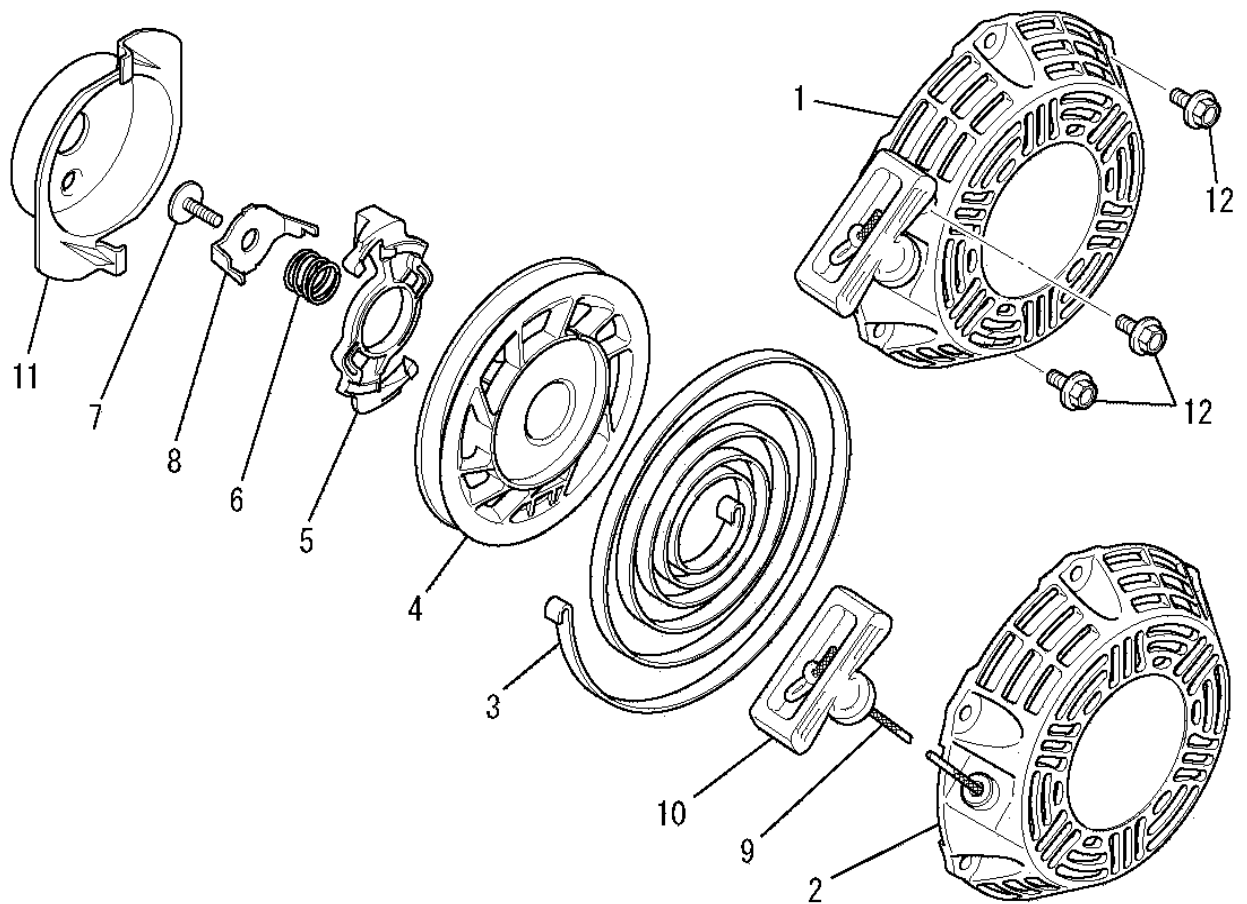
No.	R/N	Parts No.	Parts Name	No. Req'd	Inte	Remarks	Serial No. (From~To)
1		KF04124BD	FUEL TANK ASSY	1		INCL. NO. 2, 3	
2		KF05021AA	TANK CAP ASSY	1			
3		KF40003AA	FILTER, FUEL	1			
4		B805B06X020	BOLT, FLANGE	3			
5		FR67419	CLIP	1			

# (N) COCK GROUP



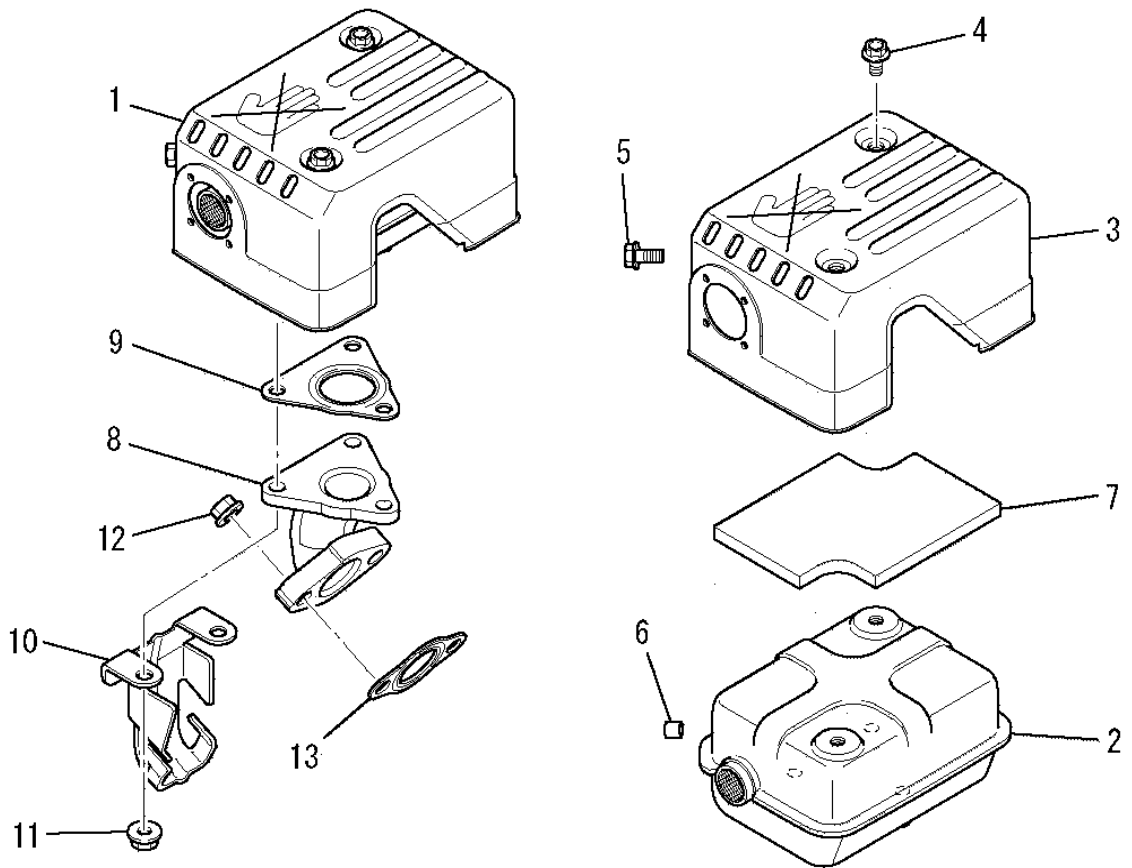
No.	R/N	Parts No.	Parts Name	No. Req'd	Inte	Remarks	Serial No. (From~To)
1		KF31037AA	COCK, FUEL	1		INCL. NO. 2-5	
2		KF31035AA012	PACKING	1			
3		KF31036AA106	CUP	1			
4		KF31035AA003	FILTER, FUEL	1			
5		KF31035AA102	PACKING	1			
6		B800A06X012	BOLT, FLANGE	1			
7		FR53226	CLIP	2			
8		FR67419	CLIP	1			

## (R) RECOIL STARTER GROUP



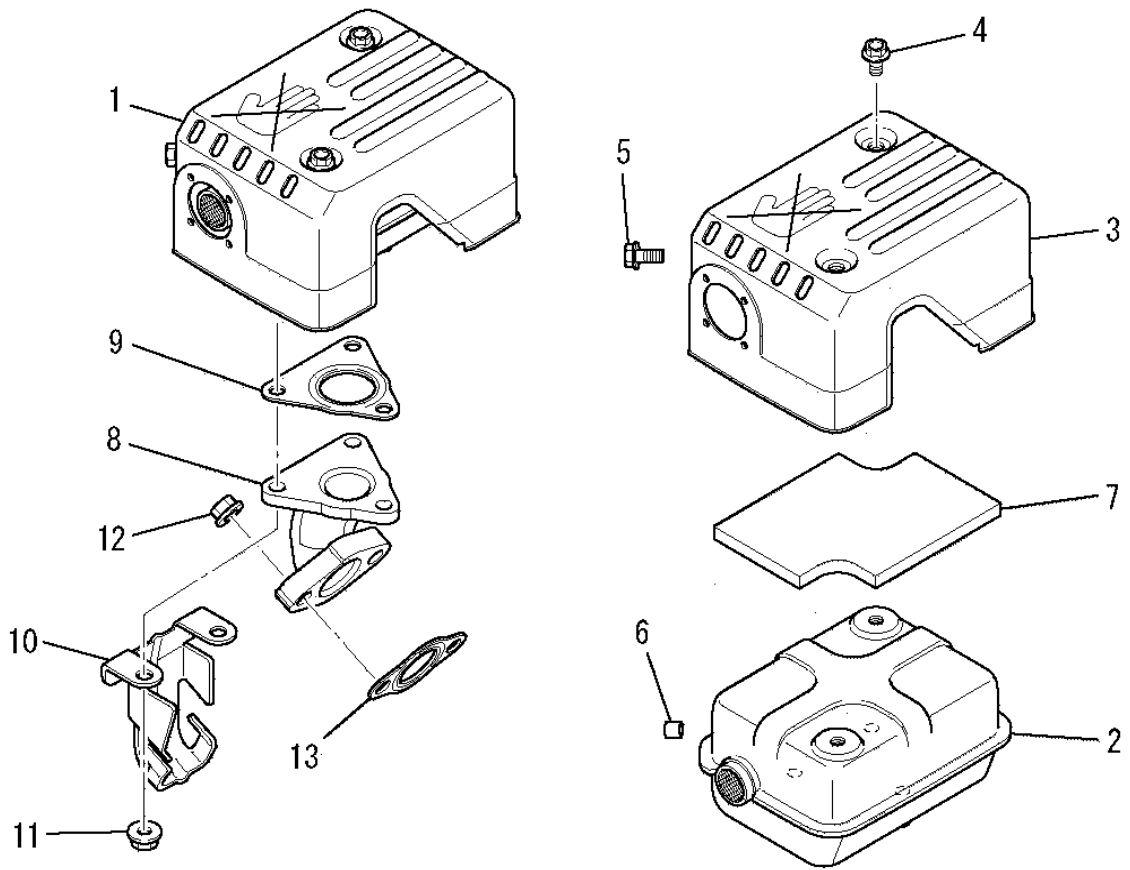
No.	R/N	Parts No.	Parts Name	No. Req'd	Inte	Remarks	Serial No. (From~To)
1		KS02103AD	RECOIL STARTER ASSY	1		INCL. NO. 2-11	
2		KS20127AD001	CASE, STARTER	1			
3		KS20080AD002	SPRING, SPIRAL	1			
4		KS20080BD003	REEL	1			
5		KS20080AD004	GUIDE	1			
6		KS20080AD005	SPRING, BRAKE	1			
7		KS20080AD006	SCREW	1			
8		KS20080AD007	RETAINER	1			
9		KS20080AD009	ROPE	1			
10		KS20080AD010	HANDLE	1			
11		KS30039CA	PULLEY, STARTER	1			
12		B800A06X010K	BOLT, FLANGE	3			

## (S) MUFFLER GROUP



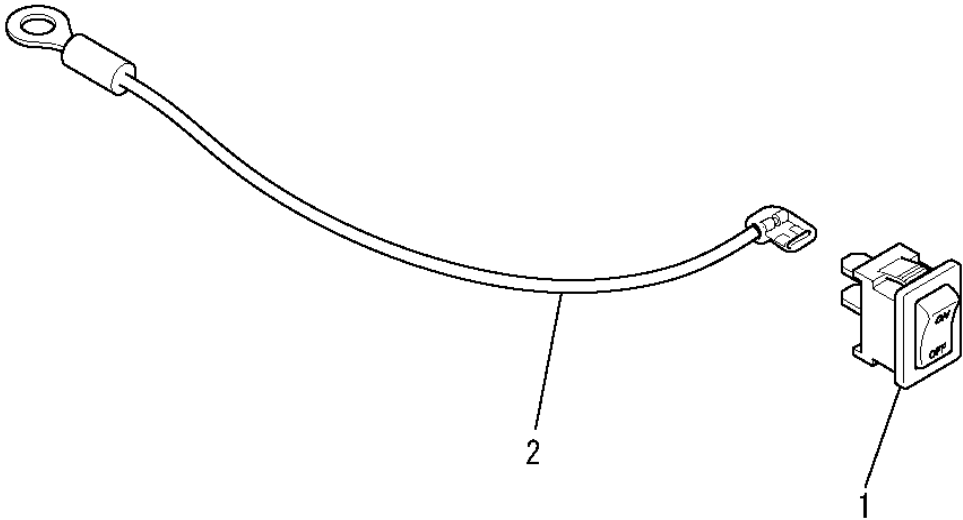
No.	R/N	Parts No.	Parts Name	No. Req'd	Inte	Remarks	Serial No. (From~To)
1		KM02144BA	MUFFLER ASSY	1		INCL. NO. 2-7	
2		KM15098AA	MUFFLER	1			
3		KM25077AA	COVER, MUFFLER	1			
4		B800A06X008K	BOLT, FLANGE	2			
5		B800A06X016K	BOLT, FLANGE	1			
6		KU50007JA	BUSH	1			
7		KM90187AA	GLASS WOOL	1			
8		KM30027AA	PIPE, EXHAUST	1			
9		KM70064AA	GASKET, MUFFLER	1			
10		KM90182AA	COVER	1			
11		N801A06	NUT, FLANGE	3			
12		ZZ70028C	NUT, CONICAL SPG	2			

# (S) MUFFLER GROUP



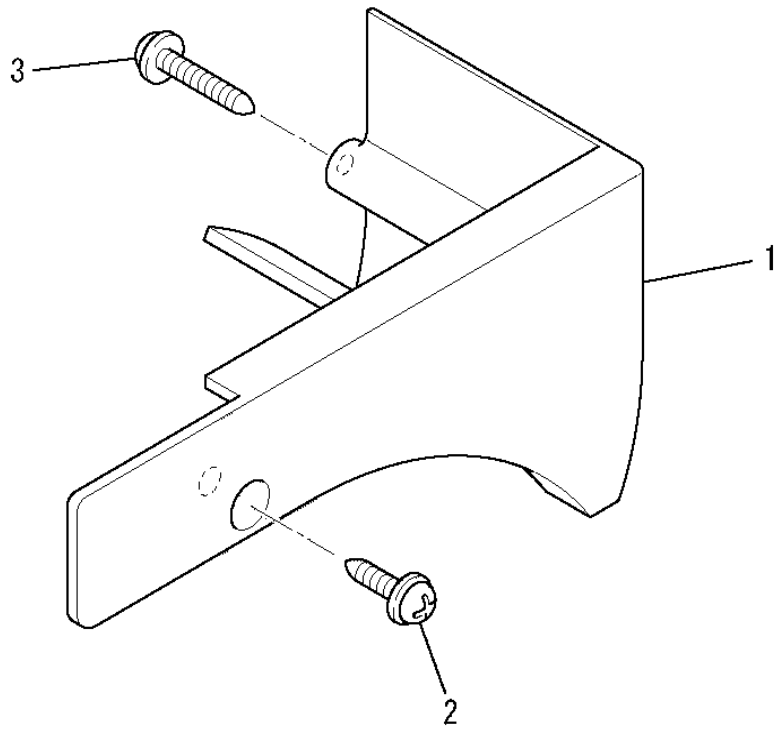
No.	R/N	Parts No.	Parts Name	No. Req'd	Inte	Remarks	Serial No. (From~To)
13		KM70040AA	GASKET, MUFFLER	1			

**(U) SWITCH GROUP**



No.	R/N	Parts No.	Parts Name	No. Req'd	Inte	Remarks	Serial No. (From~To)
1		KE80021AA	SWITCH, STOP	1			
2		KE90190AA	WIRE, LEAD	1			

# (X) COVER GROUP



No.	R/N	Parts No.	Parts Name	No. Req'd	Inte	Remarks	Serial No. (From~To)
1		KR40038AA	COVER, FRONT	1			
2		KU12025AA	TAP-SCREW	1		L=10mm	
3		KU12025CA	TAP-SCREW	1		L=25mm	